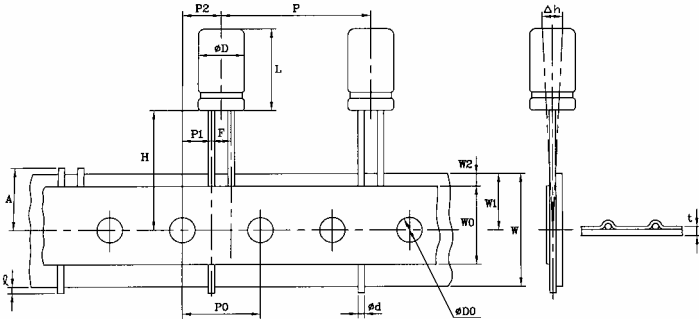


**DRAWING I CODE T1 Lead space 2.5mm**

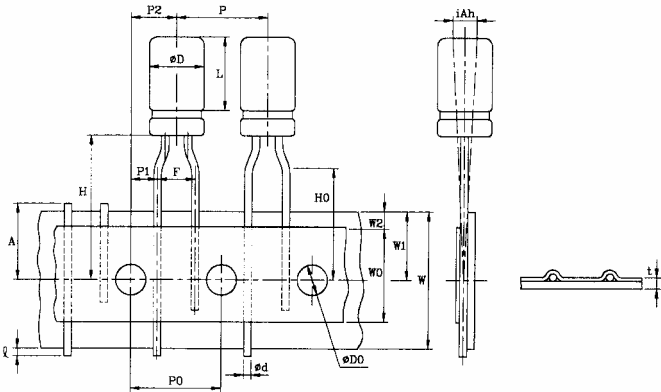


Body Dia	φ 3 φ 4, φ 5, φ 6.3	(mm)
Symbol	Dimension	Tolerance
P	12.7	±1.0
P <sub>o</sub>	12.7	±0.3
P <sub>2</sub>	6.35	±1.0
F	2.5	±0.5
Δ <sub>h</sub>	0	±2.0
W	18.0	±0.5
W <sub>o</sub>	12.5	min.
W <sub>1</sub>	9.0	±0.5
W <sub>2</sub>	2.0	max.
H	18.5	±0.75
H <sub>o</sub>	16.0	±0.5
ℓ	2.0	max.
φ D <sub>o</sub>	4.0	0.2
t	0.7	0.5
A	11.10	max.
L	7.11	+ 10

● PACKAGING

φ D	Q'TY	BOX	REEL
3		3,000	2,000
4		2,500	1,700
5		2,000	1,300
6.3		1,500	1,000

**DRAWING II CODE TA Lead space 5mm**



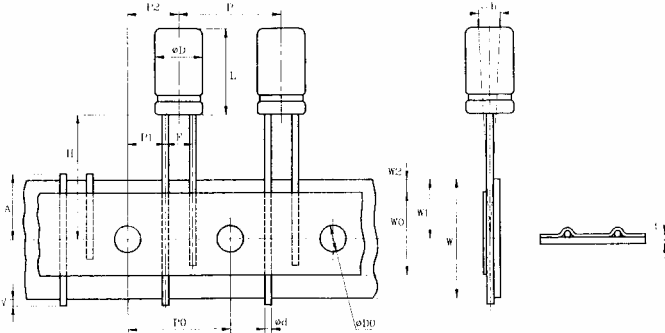
Body Dia	φ 3 φ 4, φ 5, φ 6.3, φ 8	(mm)
Symbol	Dimension	Tolerance
P	12.7	±1.0
P <sub>o</sub>	12.7	±0.3
P <sub>2</sub>	6.35	±1.0
F	5.0	±0.5
Δ <sub>h</sub>	0	±2.0
W	18.0	±0.5
W <sub>o</sub>	12.5	min.
W <sub>1</sub>	9.0	±0.5
W <sub>2</sub>	2.0	max.
H	18.5	±0.75
H <sub>o</sub>	16.0	±0.5
ℓ	2.0	max.
φ D <sub>o</sub>	4.0	0.2
t	0.7	0.5
A	11.0	max.
L	7,11,11	+ 10

● PACKAGING

φ D	Q'TY	BOX	REEL
3		3,000	2,000
4		2,500	1,700
5		2,000	1,300
6.3		1,500	1,000
8		1,000	750



**DRAWING V CODE T35 Lead space 3.5mm**



● PACKAGING

φ D	Q'TY	BOX	REEL
8		1000	750

Symbol	Dimension	Tolerance
	Dφ8	
P	12.7	+ 1.0
P <sub>o</sub>	12.7	+ 0.3
P <sub>2</sub>	6.35	+ 1.0
F	3.5	± 0.5
Δ <sub>h</sub>	0	+ 2.0
W	18.0	±0.5
W <sub>o</sub>	12.5	min.
W <sub>1</sub>	9.0	+ 0.5
W <sub>2</sub>	2.0	max.
H	18.5	+ 0.75
ℓ	2.0	max.
φD <sub>o</sub>	4.0	+ 0.2
t	0.7	+ 0.5
A	11.0	max.
φd	0.6	±0.05
L	12,14,16	+ 1.5

**PACKAGE & WEIGHT**

**RADIAL TYPE, BULK PACKAGE**

SEQ	DIMENSION	ONE BAG	INNER BOX	CARTON	KGS/CTN
1	3X5mm	2000 pcs	16K pcs	64 K pcs	16 Kgs
2	4mm	2000 pcs	16K pcs	64 K pcs	18 Kgs
3	5mm	1000 pcs	10 K pcs	40 K pcs	20 Kgs
4	6.3mm	1000 pcs	8 K pcs	32 K pcs	22 Kgs
5	8x5mm	1000 pcs	8 K pcs	32 K pcs	22 Kgs
6	8x12mm	1000 pcs	5 K pcs	20 K pcs	22 Kgs
7	8x14mm	1000 pcs	5 K pcs	20 K pcs	24 Kgs
8	8x16mm	1000 pcs	4 K pcs	16 K pcs	22 Kgs
9	10x12mm	500 pcs	3.5 K pcs	14 K pcs	24 Kgs
10	10x16mm	500 pcs	2.5 K pcs	10 K pcs	22 Kgs
11	10x21mm	500 pcs	2 K pcs	8 K pcs	24 Kgs
12	13x21mm	200 pcs	1.4 K pcs	5.6 K pcs	24 Kgs
13	13x26mm	200 pcs	1.2 K pcs	4.8 K pcs	24 Kgs
14	16x26mm	X	200 pcs	1.2 K pcs	10 Kgs
15	16x31mm	X	200 pcs	1.2 K pcs	12 Kgs
16	16x36mm	X	200 pcs	1.2 K pcs	14 Kgs
17	18x36mm	X	200 pcs	1.2 K pcs	16 Kgs
18	22x40mm	X	200 pcs	1.2 K pcs	18 Kgs
19	25x40mm	50 pcs	50 pcs	300 pcs	6.5 Kgs