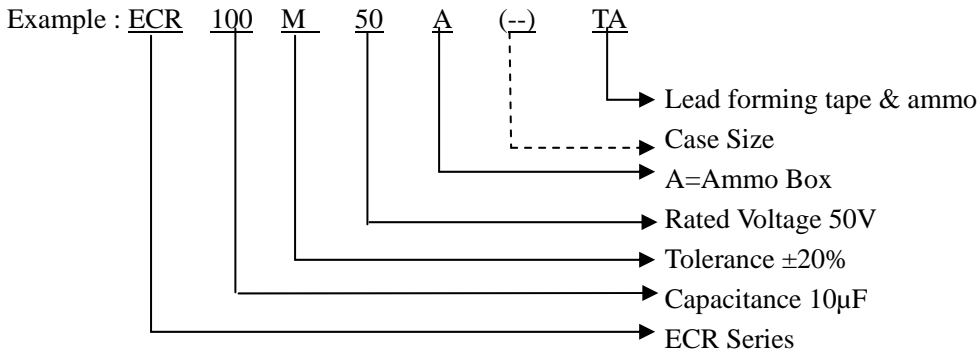
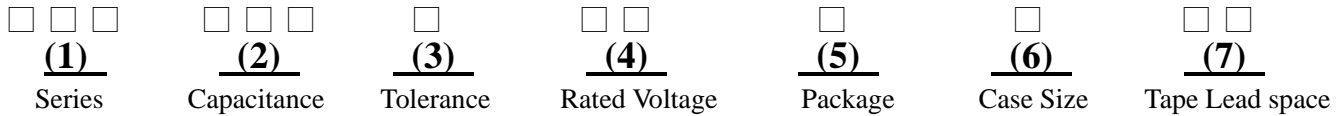


## Part Numbering System

When you place an order for HITANO electrolytic capacitors, please refer to our part number as shown below.



**(1) Series:**

Series is represented by three digit code. Please refer to “Series Table” on page 3

**(2) Capacitance:**

Rated capacitance in  $\mu\text{F}$  is represented by a three digit number. The first two digits are the significant figures of the nominal capacitance and the third digit indicates the number of zeros following these figures. The decimal point is represented by the capital letter R. Please refer to the following example:

$\mu\text{F}$	0.1	0.47	1	4.7	10	47	100	470	1000	4700	10000
Part number	0R1	R47	010	4R7	100	470	101	471	102	472	103

**(3) Tolerance:**

Symbol of M and K show special capacitance tolerance which are listed as follows:

K = -10% ~ +10%	M = -20% ~ +20%
-----------------	-----------------

**(4) Rated Voltage:**

Voltage on volts (V) is represented by two digit code showing the real working voltage indicated as follows:

Voltage(WV)	2.5	4	6.3	10	16	20	25	35	40	50	63	80	100	160	200	250	350	400	450
Code	0E	0G	0J	10	16	20	25	35	40	50	63	80	2A	2C	2D	2E	2V	2G	2W

**(5) Package:**

B = Bulk ;	BA=Smaller Size For Bulk
C5 = Lead Cutting 5mm & Loose Package	AC5= Smaller Size With Cutting 5mm
A = Tape & Ammo Package	R = Tape & Reel Package
F5 = Lead Forming & Cutting 5mm & Loose Package	

**(6) Case Size:(Omit if only One size.)**

EVS = on page 4	V-CHIP = on page 8~12
Snap In Type= On Page 37~43.	

**(7) Lead Space (Omit if Loose Package)on page 31**

T1 = Lead space 2.5mm Tape(d=4 or 5 Forming)	TA = Lead Forming space 5mm Tape
T3 = Lead space 7.5mm Tape	T2 = Lead space 5mm Tape
T35= Lead space 3.5mm Tape	