

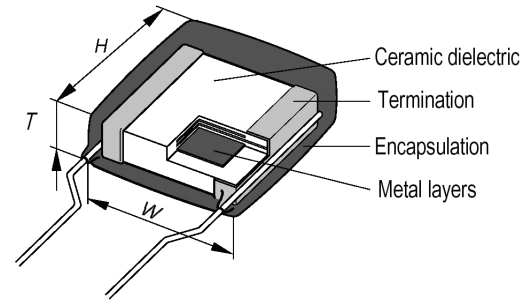
Application

NPO : Temperature compensation type, have little or no change in capacitance with variation in temperature. Hence, they are used in radio-frequency oscillators, precision timing circuits, ultra stable amplifiers, etc.

X7R : Temperature stable type for by-pass and decoupling in radio and television receivers, computers servo systems. Audio tone, and coupling, etc., where moderate capacitance variations are permissible and dissipation factor is not critical.

Z5U/Y5V : General type for by-pass and filtering applications.

Construction



Part No. Designation

R15	Z	102	M		2H	L	5	L
SIZE	T.C	Capacitance-Code	Tolerance		Voltage	Lead shape	Lead space	Package-Lead-length
R15	N=NPO	Two significant digits	A=±0.05PF	F=±1%	2E=250V	L=Straight	2=2.54±0.8	R=Tape/Reel
R20	W=X7R	+NO. of zeros.	B=±0.10PF	G=±2%	2H=500V	Y=Inside	5=5.08±0.8	B=Tape/Box
R25	Z=Z5U	Example	C=±0.25PF	J=±5%	3A=1KV	Crimp	(mm)	6=6±1mm
	Y=Y5V	102=1000pf	D=±0.50PF	K=±10%	3D=2KV	H=High		L=25.4mm(min)
		223=22000pf		M=±20%	3F=3KV	seated		
		104=100000pf	Z=+80/-20%			A=Slope		

1. LEAD SHAPE:

