

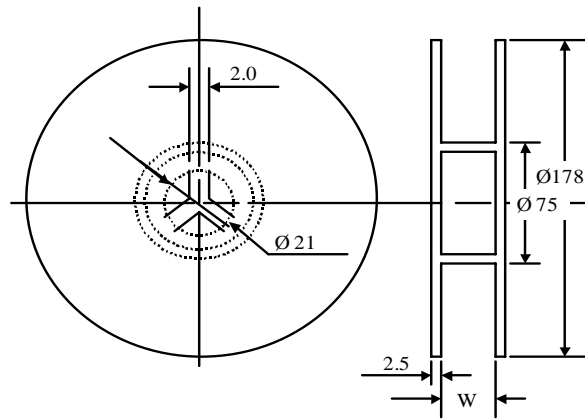
**CHIP FERRITE BEAD
MULTILAYER TYPE**

PACKAGING INFORMATION

Packing Quantity

TYPE	PCS / REEL
FBM 0603	4,000
FBM 0805	4,000
FBM 1206	3,000
FBM 1210	2,000
FBM 1806	2,000
FBM 1812	1,000

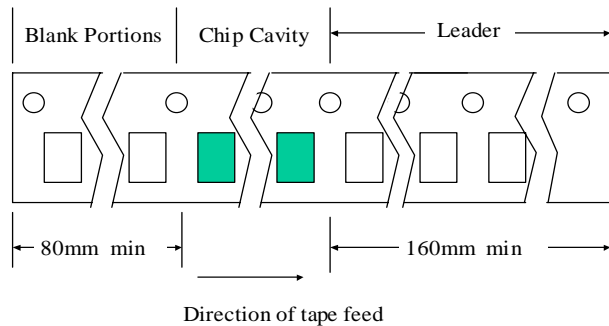
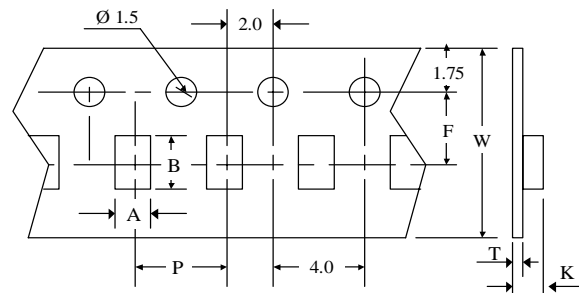
Reel Dimensions



Dimensions (unit: m/m)

TYPE	A	B	T
FBM 0603	1.10	1.90	1.10
FBM 0805	1.55	2.30	1.20
FBM 1206	1.90	3.50	1.40
FBM 1210	2.90	3.60	1.70
FBM 1806	2.90	4.90	1.40
FBM 1812	3.60	4.90	2.05

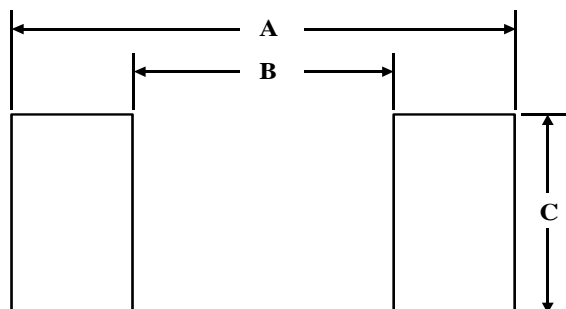
Tape Dimension



Dimensions (unit: m/m)

TYPE	A	B	C
FBM 0603	2.10	1.00	0.80
FBM 0805	2.60	1.20	1.20
FBM 1206	4.30	2.00	1.60
FBM 1210	4.30	2.00	2.20
FBM 1806	6.00	3.30	1.60
FBM 1812	6.00	3.30	3.20

Recommended Pattern



Remark: 1) Blank length: 200 mm minimum for loading.
2) Blank length: 160 mm minimum for unloading.