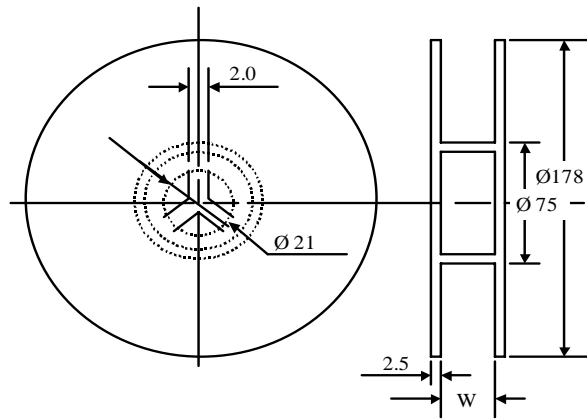


Packing Quantity

TYPE	PCS / REEL
0603	4,000
0805	4,000
1008	4,000

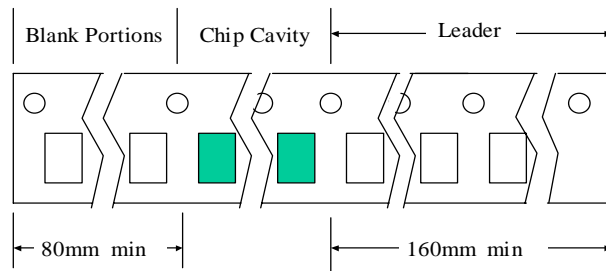
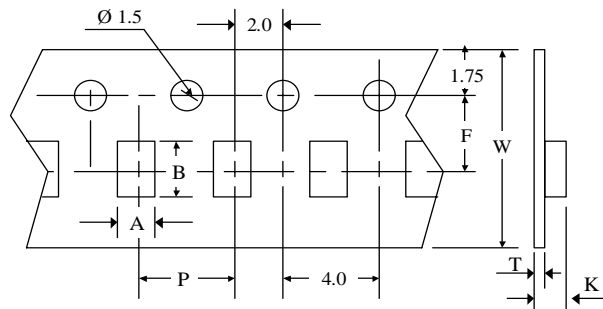
Reel Dimensions



Dimensions (unit: m/m)

TYPE	A	B	T
SAI 0603	1.70	2.00	2.00
SAI 0805	1.70	2.50	2.00
SAI 1008	1.70	3.20	2.00

Tape Dimension

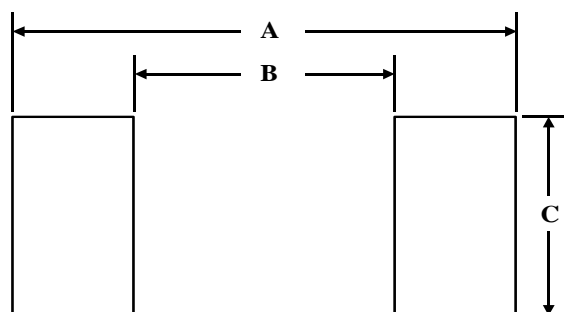


Direction of tape feed

Dimensions (unit: m/m)

TYPE	A	B	C
SAI 0603	1.92	0.64	1.60
SAI 0805	2.80	0.76	1.78
SAI 1008	3.31	1.27	2.54

Recommended Pattern



Remark: 1) Blank length: 200 mm minimum for loading.
2) Blank length: 160 mm minimum for unloading.