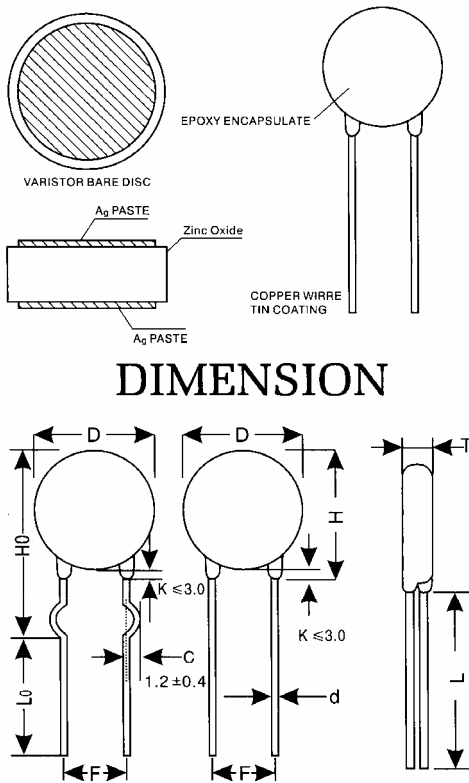


Materials and Marking



Dimension table

UNIT :mm

Series	D max	H max	Ho max	d	c±0.4	F
05D	7	10.5	13	0.6	1.2	5±0.8
07D	9	12	13.5	0.6	1.2	5±0.8
10D	13	17	17.5	0.8	1.4	7.5±0.8
14D	17	20	21	0.8	1.4	7.5±0.8
		22	23	0.8		*10±1.0
18D	20	24.5	26	0.8	1.4	*7.5±0.8
				1.0	1.6	10±1.0
20D	24	28	30	0.8	1.4	*7.5±0.8
		30	32	1.0	1.6	10±1.0
25D	30	33	34	1.0	1.6	10±0.8
						*12.5±1.0

*non standard lead space, available upon request.

T max. Table

Part No.	05D	07D	10D	14D	18D	20D	25D
180L	4.5	4.5	4.6	4.6	4.8	4.8	4.8
220K	4.6	4.6	4.7	4.7	4.9	5.4	4.9
270K	4.7	4.7	4.8	4.8	5.0	5.5	5.0
330K	4.9	4.9	5.0	5.0	5.2	5.6	5.2
390K	4.8	4.8	4.9	4.9	5.5	5.5	5.5
470K	4.9	4.9	5.0	5.0	5.6	5.6	5.6
560K	5.0	5.0	5.1	5.1	5.7	5.7	5.7
680K	5.2	5.2	5.3	5.3	5.8	5.8	5.8
820K	4.1	4.1	4.5	4.5	4.9	4.9	4.9
101K	4.3	4.3	4.7	4.7	5.1	5.1	5.1
121K	4.5	4.5	4.9	4.9	5.3	5.3	5.3
151K	4.8	4.8	5.2	5.2	5.6	5.6	5.6
181K	4.3	4.3	4.8	4.8	5.0	5.2	5.2
201K	4.4	4.4	4.8	4.8	5.2	5.2	5.4
221K	4.5	4.5	4.9	4.9	5.3	5.3	5.5
241K	4.6	4.6	5.0	5.0	5.4	5.4	5.6
271K	4.9	4.9	5.2	5.2	5.5	5.6	5.8

Part No.	05D	07D	10D	14D	18D	20D	25D
301K	5.0	5.0	5.3	5.3	5.7	5.7	5.9
331K	5.1	5.1	5.6	5.6	6.0	6.0	6.1
361K	5.2	5.2	5.7	5.7	6.2	6.2	6.4
391K	5.4	5.4	5.8	5.8	6.4	6.4	6.6
431K	5.7	5.7	6.2	6.2	6.7	6.7	6.9
471K	6.0	6.0	6.5	6.5	6.9	7.0	7.2
511K	6.2	6.4	6.5	6.5	7.0	7.0	7.2
561K	6.5	6.4	6.5	6.5	7.2	7.0	7.2
621K	-	7.1	7.1	7.1	7.5	7.5	7.7
681K	-	7.3	7.4	7.6	7.8	7.8	8.0
751K	-	-	7.8	7.8	8.2	8.2	8.4
781K	-	-	7.9	7.9	8.3	8.3	8.5
821K	-	-	8.1	8.1	8.5	8.5	8.7
911K	-	-	8.6	8.6	9.0	9.0	9.2
102k	-	-	9.1	9.1	9.5	9.5	9.7
112K	-	-	9.7	9.7	10.1	10.1	10.3
122K				10.4	10.6	10.6	10.8
182K	-	-	-	14.4		13.2	15.2