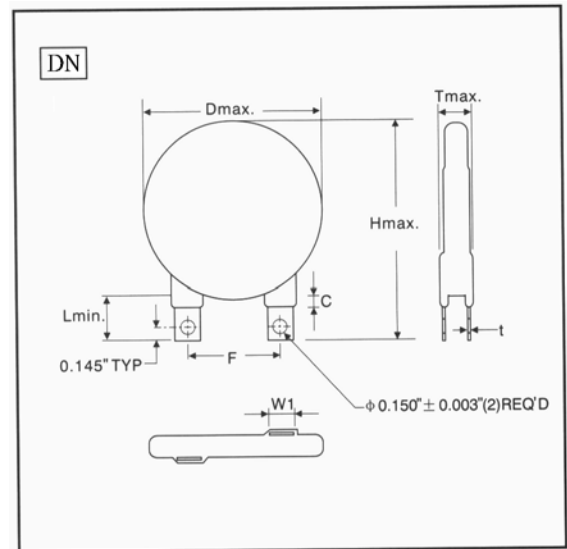
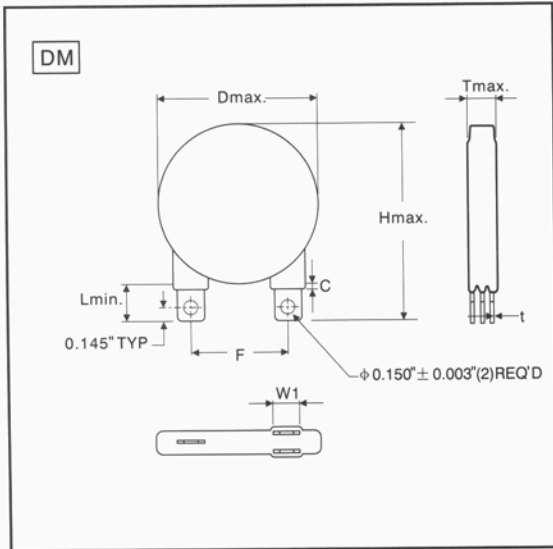
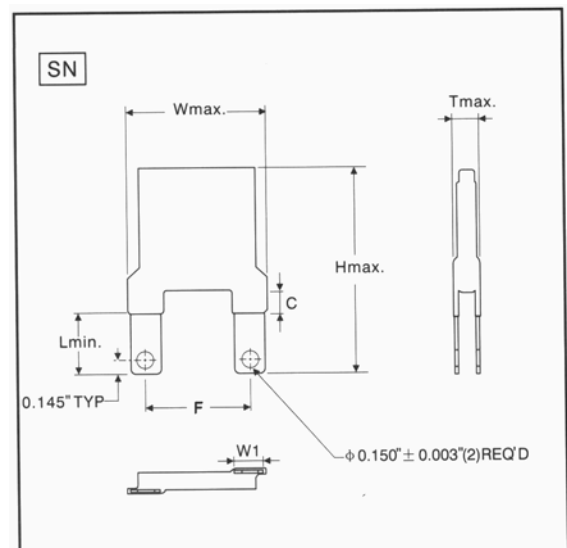
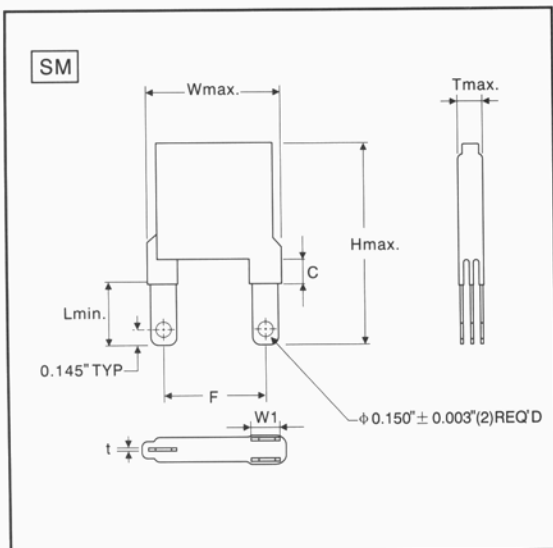


Dimensions

Disc



Square



Dimensions (Unit: mm)

Serial.	D (max.)	W (max.)	F(±0.5)	C max.	H max.	T(±0.1)	W1	L (min.)
32D---N	38.0	---	25.4	31.8	52	0.50	7.0	16.5
40D---N	48.0	---	25.4	31.8	58	0.50	7.0	16.5
40D---M	48.0	---	25.4	31.8	58	0.50	7.0	16.5
53D---N	65.0	---	25.4	31.8	78.20	0.70	9.7	16.5
34S---N	---	44.0	25.4	31.8	56.60	0.50	7.0	16.5
34S---M	---	44.0	25.4	31.8	56.60	0.50	7.0	16.5

Dimensions Tmax (Unit: mm)

Part No.	32D---N	40D---N	40D---M	53D---N	34S---N	34S---M
201K	6.2	6.2	7.8	6.3	6.2	7.8
221K	---	---	---	---	6.3	8.0
241K	6.4	6.4	8.2	6.5	6.4	8.2
271K	6.6	6.6	8.6	6.7	6.6	8.6
331K	6.9	6.9	9.0	7.0	6.9	9.0
361K	7.1	7.1	9.3	7.2	7.1	9.3
391K	7.3	7.3	9.6	7.4	7.3	9.6
431K	7.5	7.5	10.0	7.6	7.5	10.0
471K	7.8	7.8	10.5	7.9	7.8	10.5
511K	8.0	8.0	10.7	8.1	8.0	10.7
561K	---	---	---	---	8.3	11.1
621K	8.7	8.7	11.4	8.8	8.7	11.4
681K	9.0	9.0	11.9	9.1	9.0	11.9
751K	9.4	9.4	12.5	9.5	9.4	12.5
781K	9.6	9.6	12.7	9.7	9.6	12.7
821K	9.8	9.8	123.2	9.9	9.8	13.2
911K	10.4	10.4	14.0	10.5	10.4	14.0
951K	---	10.6	---	10.7	10.6	---
102K	11.2	11.2	15.0	11.3	11.2	15.0
112K	11.8	11.8	16.0	11.9	11.8	16.0
122K	12.3	12.3	---	12.4	12.3	---
142K	13.3	13.3	---	13.4	13.3	---
162K	14.3	14.3	---	14.4	---	---