

Data Sheet

Customer: _____

Product: Ceramic Disc Capacitor - Class III _____

Type : S _____

Issued Date: 20-Mar.-2024 _____

Edition: Ver. 3 _____

Record of change

Date	Ver.	Description	Page
30-Dec.-2016	1		
31-Jan.-2023	2	Revised Part No.	
20-Mar.-2024	3	Revised Lead Shape	

HITANO ENTERPRISE CORP.

7F-7, No. 3, Wu Chuan 1st Road, New Taipei Industrial Park,

New Taipei City, TAIWAN, R.O.C.

Tel: +886 2 2299 1331 (Rep.)

Fax: +886 2 2298 2466, 2298 2969

Prepared by	Checked by	Approved by	Accepted by (customer)
20-Mar.-2024	20-Mar.-2024	20-Mar.-2024	
<i>Randy Yu</i>	<i>Arthur Su</i>	<i>Arthur Su</i>	

FEATURES

- Ultra large capacitance in small size
- Non linear temperature coefficient of capacitance

Part No. Designation

Example	S	Y	016	104	Z	-	L	2	1	5	B
	(1)	(2)	(3)	(4)	(5)		(6)	(7)	(8)	(9)	(10)

1. Class III — Type'S'

2. Temperature Coefficient (Ref. Fig

Code	Temp. Range	Cap. Change	EIA Code
P	-25°C~ +85°C	±10%	Y5P
T		+22% -33%	Y5T
U		+22% -56%	Y5U
Y		+22% -82%	Y5V

3. Rated Voltage (D.C.)

Code	Voltage
016	16V
025	25V
050	50V
063	63V

4. Rated Capacitance

Code	Cap. (PF)
103	10,000PF
223	22,000PF
473	47,000PF
104	100,000PF
224	220,000PF
334	330,000PF

5. Tolerance On Rated Capacitance

Code	Tolerance	Rated T.C.
K	±10%	P (Y5P)
M	±20%	T(Y5T) / U(Y5U)
Z	+80-20%	Y (Y5V)

6. Lead Shape. (Ref. Fig. 3.)

Code	Type	
K	Bulk	Short Kink
S		Short Straight
L		Long Straight
A	Taping	Inside Kink
B		Straight

7. Lead Spacing. (F)

Code	Dimension (mm)		
	K	S	L
2	---	2.5±0.8	2.5±0.8
5	5.0±0.8	5.0±0.8	5.0±0.8
6	---	6.3±0.8	6.3±0.8
7	---	7.5±0.8	7.5±0.8
0	9.5±0.8	9.5±0.8	9.5±0.8

8. Lead Length. (L)

Code	Dimension (mm)		
	K	S	L
5	5.0±0.8	5.0±0.8	---
6	6.0±0.8	6.0±0.8	---
0	10.0±0.8	10.0±0.8	---
1	---	---	25min

9. Lead Wire. (d)

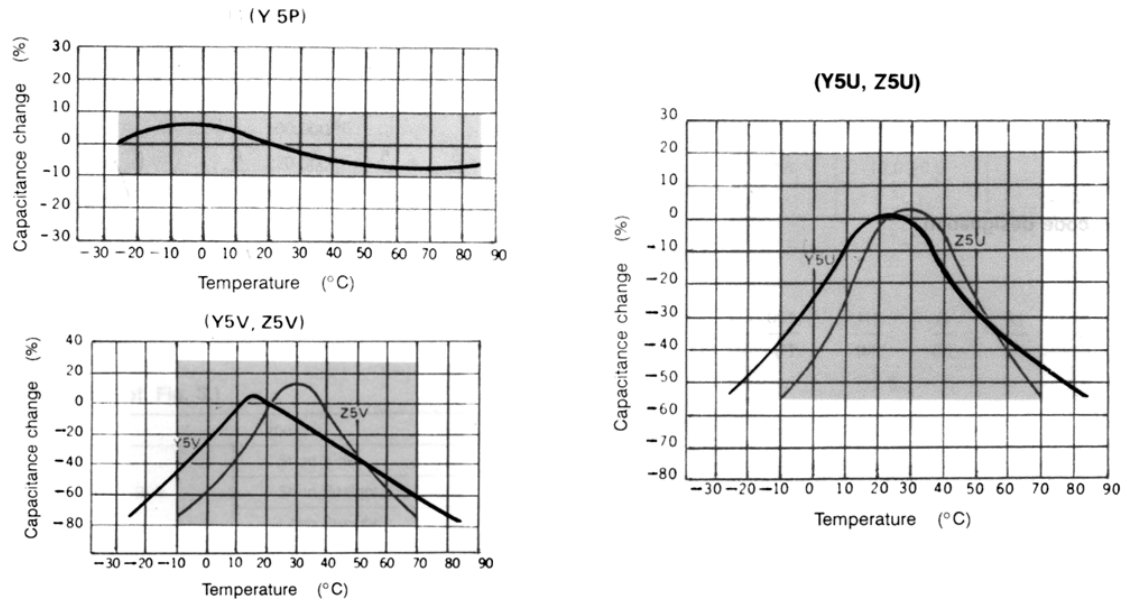
Code	Dia (Ψmm)	Rated Voltage (D.C.)
5	0.5±0.05	16V ~ 63V
6	0.6±0.05	16V ~ 63V

*Taping type lead dia. 0.6mm only.

10. Package

Code	Package	Q'ty
B	Bulk	1000pcs
A	Ammo Pack	2000pcs
R	Tape Reel	2500pcs

Fig.2 (T.C. %)



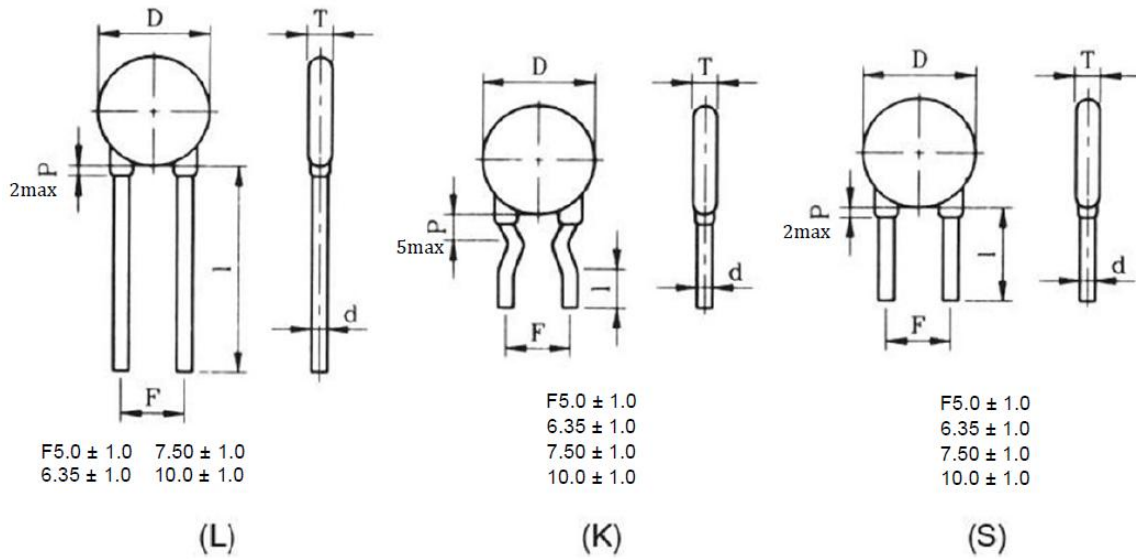
Dimension & Capacitance Range

Dimension(mm)				Capacitance Range(PF)								
Dia. (D) max	Lead Spacing (F)			16V			25V			50 ~ 63V		
	K	S	L	P	T/U	Y	P	T/U	Y	P	T/U	Y
4.5	5.0±0.8 to 10.0±0.8	2.5±0.8 to 10.0±0.8	2.5±0.8 to 10.0±0.8	---	---	---	472	---	403-473	332-472	103	103-223
5.5				---	473	103-473	682-123	103-223	---	103	153-333	333-473
6.5				---	---	104	153-223	333-473	104	123-183	403-683	503-104
7.5				---	104	---	273-333	104	---	223	823	683-104
8.5				---	---	---	393-473	---	---	273-333	104	---
9.5				---	---	---	503-683	224	224	393-473	---	224
10.5				104	224	224	---	---	334	503-683	224	334
11.5				---	---	474	823-104	---	---	---	---	---

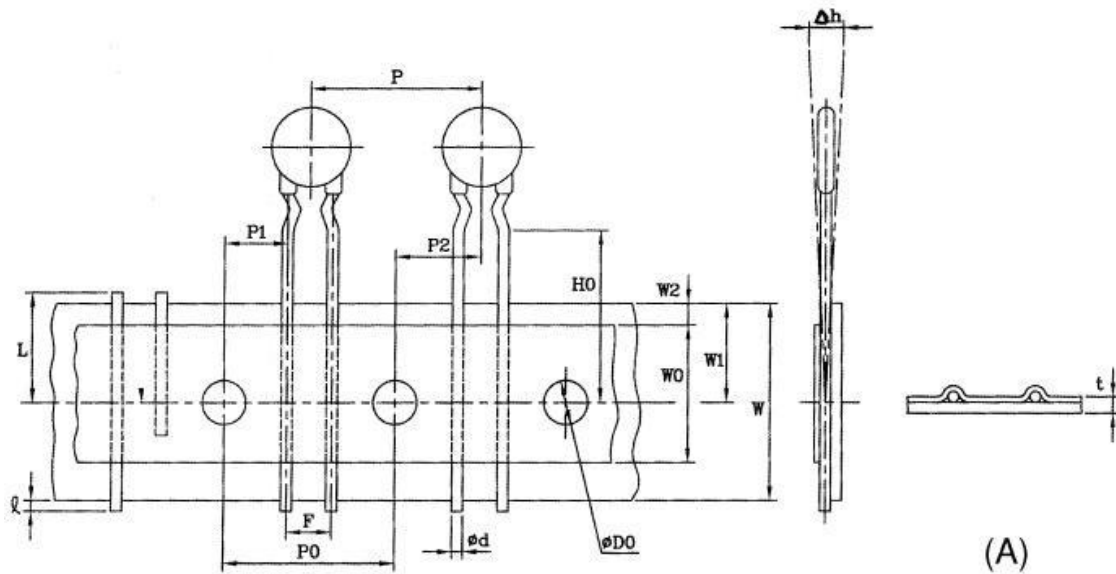
SPECIFICATION & TEST

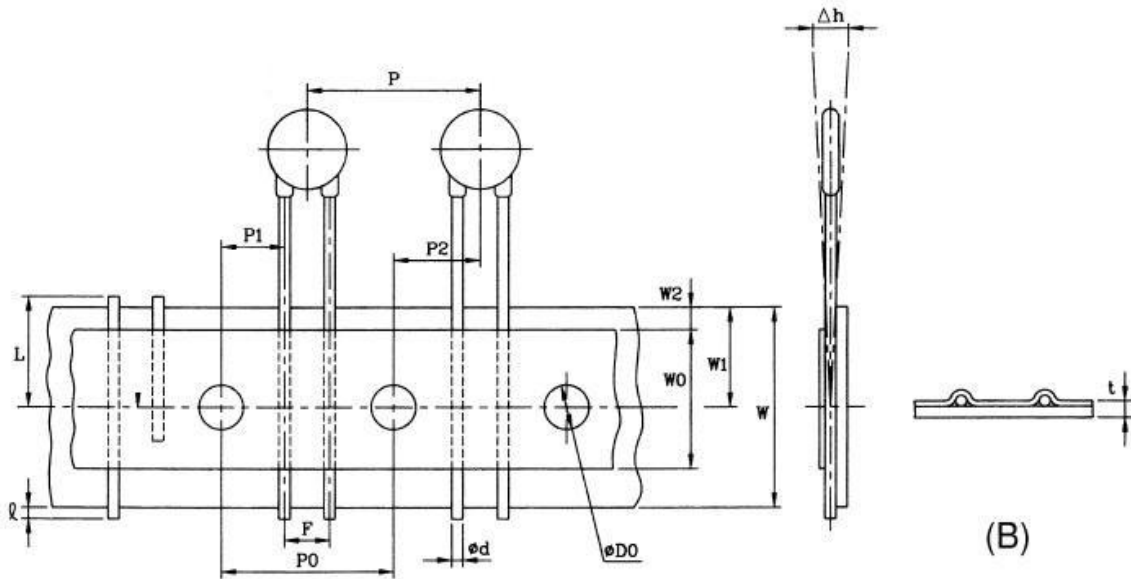
No.	Item	Performance	Test Method
1.	Visual & Mechanical	To meet the specification	The product shall be inspected for visible evidence of defect
2.	Marking	To be clear and legible	Marking shall be tested with acetone
3.	Voltage Proof (Between terminal)	No failure	Capacitor shall withstand, for not greater than 5 second, a D.C. test voltage of 2.5times rated voltage. Charging current shall be 10mA max
4.	Insulation resistance	12V/16V-100MΩ 25V/50V-1000MΩ	Shall be measured 1 minute after with 10±1V
5.	Capacitance	To be within the specified tolerance	Test frequency: 1KHz ±100Hz Test voltage shall not exceed 5Vrms at 25±2°C
6.	Dissipation Factor (Tanδ) (%)	Characteristic P, T,U : 2.5% max Y : 5% max	Same condition as above (Item 5)

Lead Shape (Fig. 3)



Taping Specification





Symbol	P	P ₀	P ₁	P ₂	ψd	F	Δh	W	W ₀	W ₁	W ₂	D ₀	t	L	H	H ₀
Dimension	12.7	12.7	3.85	6.35	0.6	2.54 5.08 6.35 7.62	0	18	12.5	9	3	4	0.7	11	20.0 23.0	16.0 18.0
Tolerance	±1.0	±0.3	±0.7	±1.0	±0.05	+0.8 -0.2	±2	±0.5	Min	+0.75 -0.5	Max	±0.3	±0.2	Max	+1.5 -1.0	±0.5