
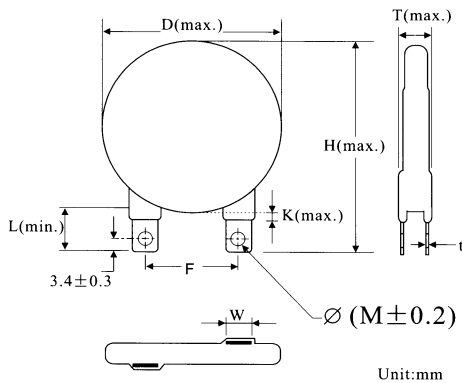


● **40D series**

Model Number	Maximum Allowable Voltage		Varistor Voltage V _{1.0mA} (V)	Clamping Voltage (Max.)		Maximum Peak Current (8/20μs)		Maximum Energy (10/1000μs) JOULE	Typical Capacitance (Reference) @1KHz (pf)	
	AC.rms (V)	DC (V)		VC (V)	IP (A)	In	I Max			
							(KA)			
40D201K	130	170	200(185-225)	340	250	20	45	400	6750	*
40D221K	140	180	220(198-242)	360				450	6400	*
40D241K	150	200	240(222-270)	395				480	5650	*
40D271K	180	225	270(256-310)	455				540	5100	*
40D301K	190	250	300(270-330)	500				600	4510	*
40D331K	210	275	330(297-363)	550				656	4150	*
40D361K	230	300	360(324-396)	595				745	3750	*
40D391K	250	320	390(362-440)	650				830	3500	*
40D431K	275	350	430(387-473)	710				920	2950	*
40D471K	300	385	470(423-517)	775				1000	2880	*
40D511K	320	415	510(459-561)	845				1060	2650	*
40D561K	350	460	560(504-616)	925				1150	2450	*
40D621K	385	505	620(558-682)	1025				1250	2200	*
40D681K	420	560	680(612-748)	1120				1250	2000	*
40D751K	460	615	750(675-825)	1240				1280	1820	*
40D781K	485	640	780(702-858)	1290				1350	1750	*
40D821K	510	670	820(738-902)	1355				1395	1650	*
40D911K	550	745	910(819-1001)	1500				1475	1500	*
40D951K	575	760	950(855-1045)	1570				1485	1430	*
40D102K	625	825	1000(900-1100)	1650				1550	1350	*
40D112K	680	895	1100(990-1210)	1815	1700	1230	*			
40D122K	750	980	1200(1150-1320)	1980	1750	1135	*			
40D142K	850	1120	1400(1315-1540)	2310	1750	970				

DIMENSIONS



D (max.)	42
H (max.)	60.2
T (max.)	Ref.Tab1
F (±0.5)	25.4
t (±0.1)	0.5
L (min.)	16.5
K (max.)	5.0
W (±0.5)	7.0
Ø (M±0.2)	3.5

Tab1.

Model	T (max.)	Model	T (max.)
201K	6.4	621K	9.4
221K	6.6	681K	9.5
241K	6.7	751K	10.0
271K	6.9	781K	10.2
301K	7.1	821K	10.8
331K	7.3	911K	11.2
361K	7.6	951K	11.0
391K	7.8	102K	11.2
431K	8.0	112K	12.3
471K	8.3	122K	13.0
511K	8.7	142K	14.3
561K	9.0		