
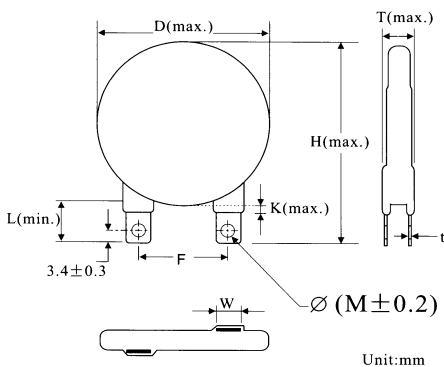


53D series

Model Number	Maximum Allowable Voltage		Varistor Voltage V _{1.0mA} (V)	Clamping Voltage (MAX.)		Maximum Peak Current (8/20μs)		Maximum Energy (10/1000μs) JOULE	Typical Capacitance (Reference) @ 1KHz (pf)	
	AC.rms (V)	DC (V)		VC (V)	IP (A)	In.10 times (KA)	I Max			
	53D201K	130	170	200(185-225)	340	500	30	60	600	
53D221K	140	180	220(198-242)	360	675				11400	
53D241K	150	200	240(216-264)	395	720				10060	*
53D271K	175	225	270(243-297)	455	810				9080	*
53D301K	190	250	300(270-330)	500	900				8030	*
53D331K	210	275	330(297-363)	550	35		70	990	7400	*
53D361K	230	300	360(324-396)	595				1120	6680	*
53D391K	250	320	390(351-429)	650				1250	6250	*
53D431K	275	350	430(387-473)	710				1380	5250	*
53D471K	300	385	470(423-517)	775				1500	5125	*
53D511K	320	415	510(459-561)	845				1590	4720	*
53D561K	350	460	560(504-616)	925				1725	4360	*
53D621K	385	505	620(558-682)	1025				1880	3920	*
53D681K	420	560	680(612-748)	1120				1880	3560	*
53D751K	460	615	750(675-825)	1240				1920	3240	*
53D781K	485	640	780(702-858)	1290	2025		3120	*		
53D821K	510	670	820(738-902)	1355	30		60	2100	2940	*
53D911K	550	745	910(819-1001)	1500				2215	2670	*
53D951K	575	765	950(855-1045)	1570				2230	2550	*
53D102K	625	825	1000(900-1100)	1650				2325	2400	*
53D112K	680	895	1100(990-1210)	1815		2550		2200	*	
53D122K	750	980	1200(1150-1320)	1980		2625		2020	*	
53D142K	880	1120	1400(1315-1540)	2310		2625		1730		
53D162K	1000	1320	1600(1550-1760)	2640		3000		1500		

DIMENSIONS



D (max.)	60
H (max.)	78.2
T (max.)	Ref.Tab1
F (±0.5)	25.4
t (±0.1)	0.7
L (min.)	16.5
K (max.)	3.18
W (±0.5)	9.7
Ø (M±0.2)	4.3

Tab1.

Model	T (max.)	Model	T (max.)
201K	6.4	621K	9.4
221K	6.6	681K	9.5
241K	6.7	751K	10.0
271K	6.9	781K	10.2
301K	7.1	821K	10.8
331K	7.3	911K	11.2
361K	7.6	951K	11.0
391K	7.8	102K	11.2
431K	8.0	112K	12.3
471K	8.3	122K	13.0
511K	8.7	142K	14.3
561K	9.0	162K	15.3