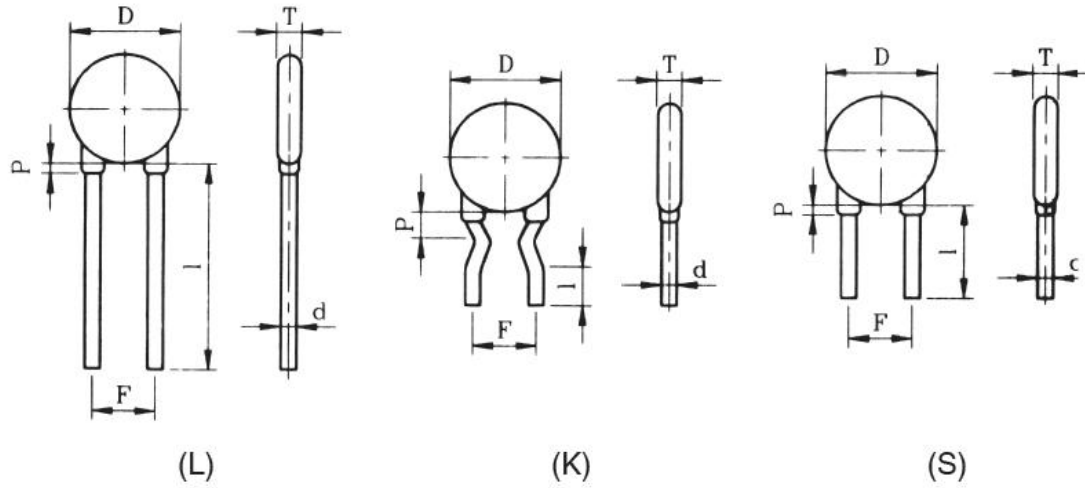




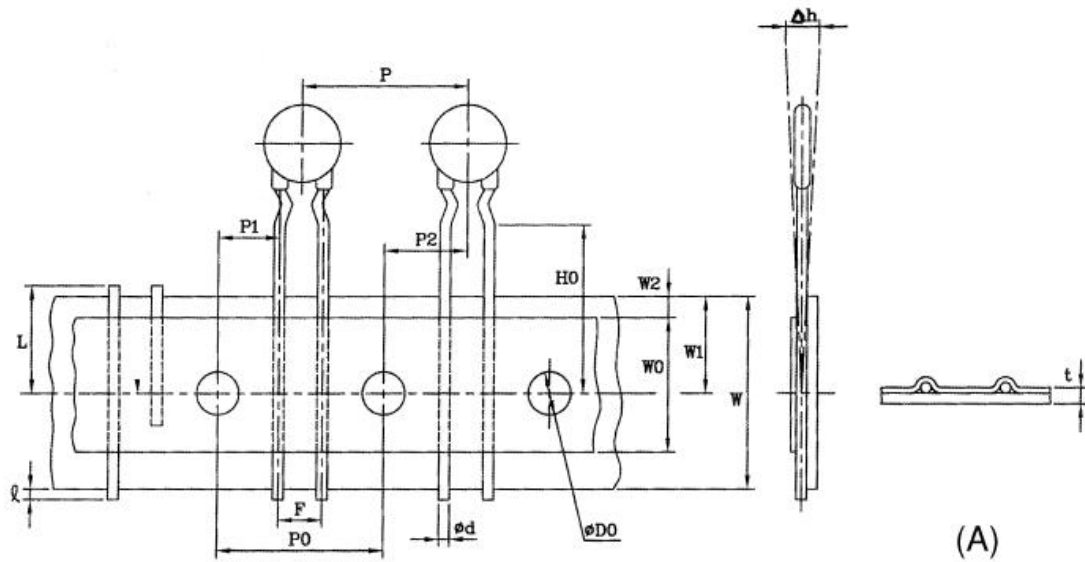


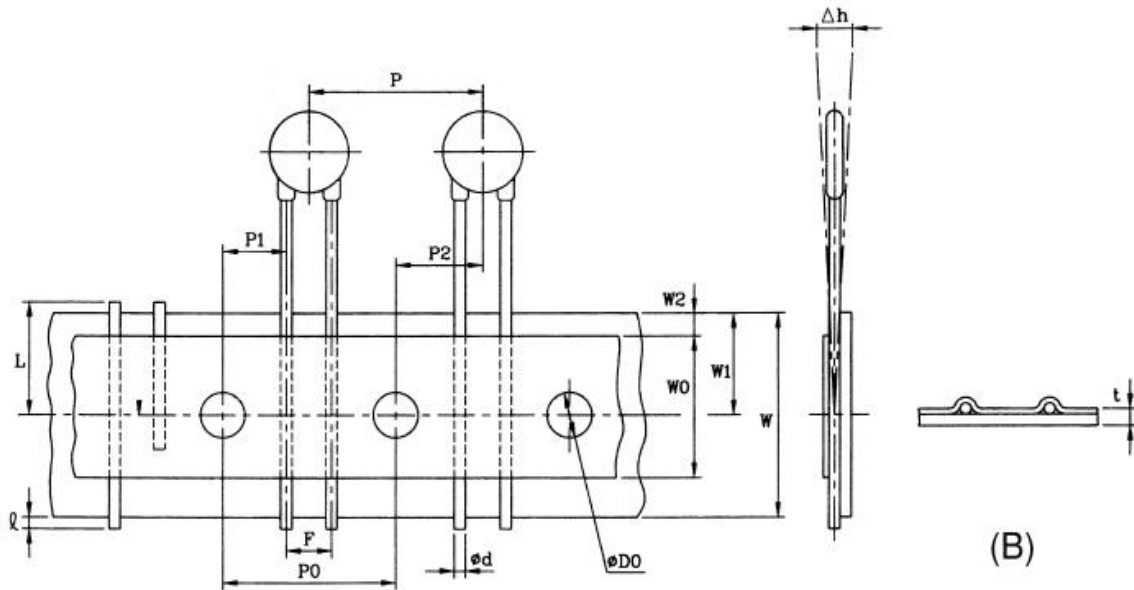


**Lead Shape (Fig. 3)**



**Taping Specification**





Symbol	P	P <sub>0</sub>	P <sub>1</sub>	P <sub>2</sub>	$\phi d$	F	$\Delta h$	W	W <sub>0</sub>	W <sub>1</sub>	W <sub>2</sub>	D <sub>0</sub>	t	L	H	H <sub>0</sub>
Dimension	12.7	12.7	3.85	6.35	0.6	2.54 5.08 6.35 7.62	0	18	12.5	9	3	4	0.7	11	20.0 23.0	16.0 18.0
Tolerance	±1.0	±0.3	±0.7	±1.0	±0.05	+0.8 -0.2	±2	±0.5	Min	+0.75 -0.5	Max	±0.3	±0.2	Max	+1.5 -1.0	±0.5