

## *Data Sheet*

Customer: \_\_\_\_\_

Product: Wire Wound Power Inductor – CSG Series \_\_\_\_\_

Size : 2D11/3D16/4D18/4D28/5D12/5D18/5D28/6D12/6D28/6D38  
 \_\_\_\_\_  
 7D15/7D18/7D25/7D28/8D43/10D15/10D25  
 \_\_\_\_\_

Issued Date: 28-Oct.-2017 \_\_\_\_\_

Edition: Ver. 1 \_\_\_\_\_

### Record of change

Date	Ver.	Description	Page
28-Oct.-2017	1		

**HITANO ENTERPRISE CORP.**

7F-7, No. 3, Wu Chuan 1<sup>st</sup> Road, New Taipei Industrial Park,  
 New Taipei City, TAIWAN, R.O.C.  
 Tel: +886 2 2299 1331 (Rep.)  
 Fax: +886 2 2298 2466, 2298 2969

Prepared by	Checked by	Approved by	Accepted by (customer)
28-Oct.-2017	28-Oct.-2017	28-Oct.-2017	
<i>Andy Hsu</i>	<i>Hwa Wu</i>	<i>Hwa Wu</i>	

# WIRE WOUND POWER INDUCTOR CSG SERIES

## ■ Features

- \* The CSG series are characterized by low profile, low DC resistance, and high current handling
- \* Magnetically shielded, these parts can be used in high-density mounting configurations.
- \* Low resistance to keep power loss minimum.
- \* Provided in embossed carrier tape packaging for use with automatic mounting machines.

## ■ Application

- \* Portable Telephone.
- \* Personal Computers.
- \* DC/DC Converters, etc.
- \* Other Various Electronic Equipment.



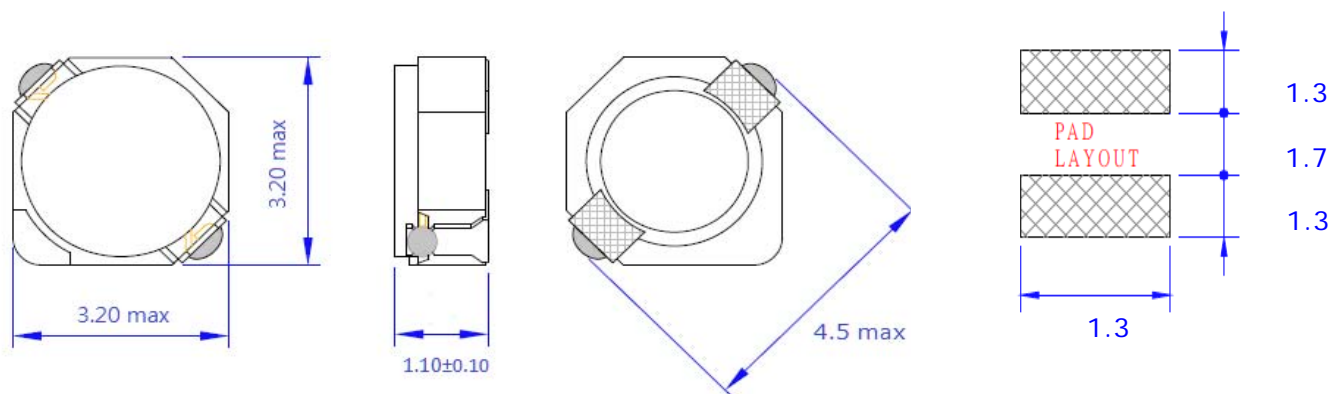
## ■ Part Numbering

CSG	4D28	T	4R7	M	□□
SERIES	SIZE	TYPE	INDUCTANCE	TOLERANCE	INTERNAL CODE
Wire Wound	2D11	T: Standard	4R7= 4.7uH	M= ±20%	
Shielded	3D16	A: A Type	470= 47uH	N= ±30%	
	4D18		101=100uH		
	4D28		102=1000uH		
	5D12				
	5D18				
	5D28				
	6D12				
	6D28				
	6D38				
	7D15				
	7D18				
	7D25				
	7D28				
	8D43				
	10D15				
	10D25				

## POWER INDUCTORS CSG SERIES

### CSG2D11A

#### 1. SHAPE & DIMENSION (UNIT:mm)



#### 2. ELECTRICAL

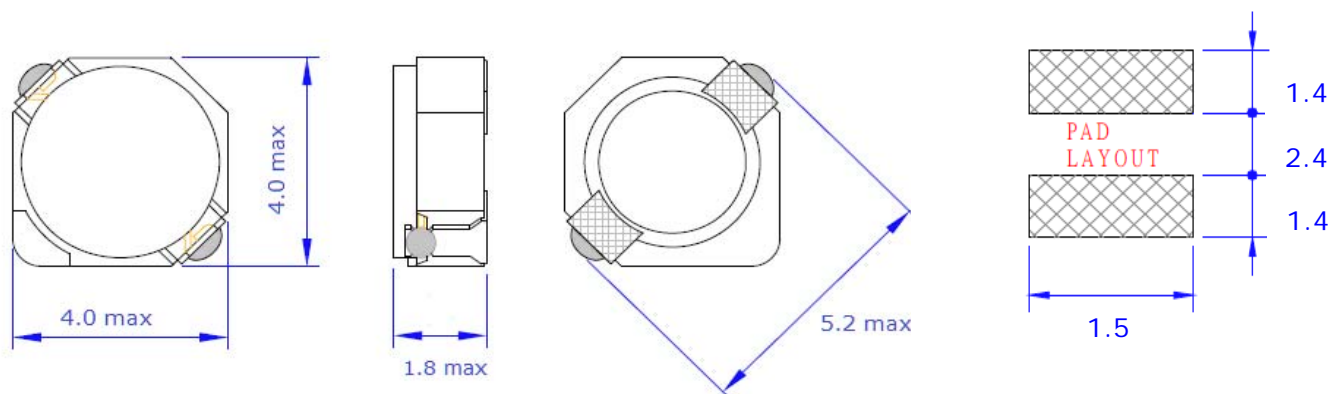
PART NO.	L(uH)	Test Freq.(KHz)	DCR(mΩ) max	RDC(A) Isat
CSG2D11A1R5N-□□	1.5	100	68	0.90
CSG2D11A2R2N-□□	2.2	100	98	0.78
CSG2D11A3R3N-□□	3.3	100	123	0.60
CSG2D11A4R7N-□□	4.7	100	170	0.50
CSG2D11A6R8M-□□	6.8	100	260	0.44
CSG2D11A100M-□□	10	100	400	0.35

- Inductance Tolerance : M:±20%, N: ±30%
- Operating Temp : -40 to +125°C
- Rated current (RDC Isat) : For Inductance drop 35% from its value without current.
- Inductance measurement: HP4194A
- DCR measurement: 502BC milli-ohm meter.
- RDC measurement: 4284A+42841A+42842C
- MSL : LEVEL 1

## POWER INDUCTORS CSG SERIES

### CSG3D16A

#### 1. SHAPE & DIMENSION (UNIT:mm)



#### 2. ELECTRICAL

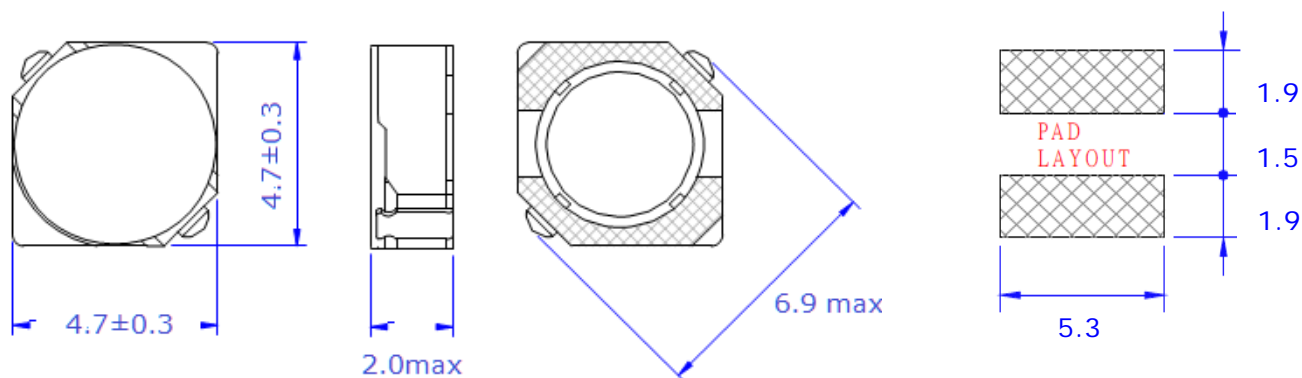
PART NO.	L(uH)	Test Freq.(KHz)	DCR(mΩ) max	RDC(A) Isat
CSG3D16A1R5N-□□	1.5	100	52	1.55
CSG3D16A2R2N-□□	2.2	100	72	1.20
CSG3D16A3R3N-□□	3.3	100	85	1.10
CSG3D16A4R7N-□□	4.7	100	105	0.90
CSG3D16A6R8M-□□	6.8	100	170	0.73
CSG3D16A100M-□□	10	100	210	0.55
CSG3D16A150M-□□	15	100	295	0.45
CSG3D16A220M-□□	22	100	430	0.40
CSG3D16A330M-□□	33	100	675	0.32

- Inductance Tolerance : M:±20%, N: ±30%
- Operating Temp : -40 to +125°C
- Rated current (RDC Isat) : For Inductance drop 35% from its value without current.
- Inductance measurement: HP4194A
- DCR measurement: 502BC milli-ohm meter.
- RDC measurement: 4284A+42841A+42842C
- MSL : LEVEL 1

## POWER INDUCTORS CSG SERIES

### CSG4D18T

#### 1. SHAPE & DIMENSION (UNIT:mm)



#### 2. ELECTRICAL

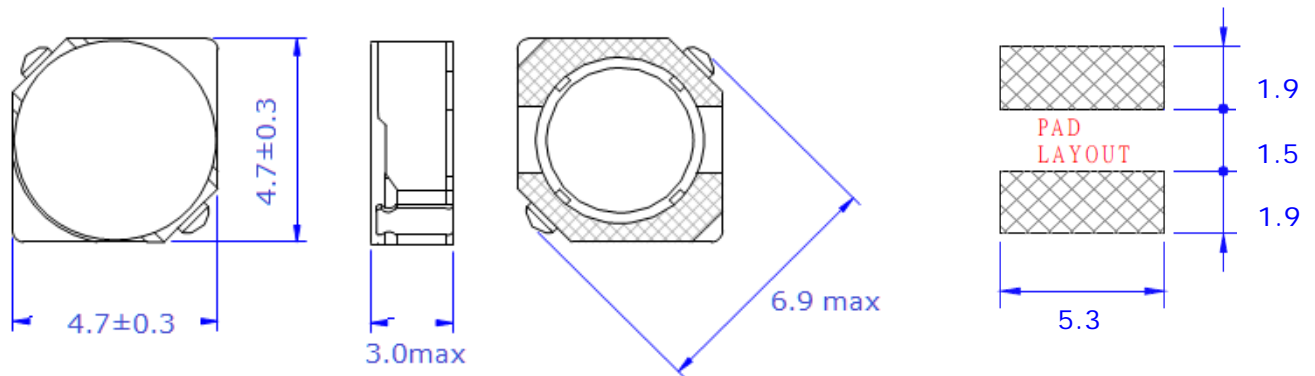
PART NO.	L(uH)	Test Freq.(KHz)	DCR(mΩ) max	RDC(A) Isat
CSG4D18T1R0N-□□	1.0	100	45	1.72
CSG4D18T2R2N-□□	2.2	100	75	1.32
CSG4D18T2R7N-□□	2.7	100	105	1.28
CSG4D18T3R3N-□□	3.3	100	110	1.04
CSG4D18T3R9N-□□	3.9	100	155	0.88
CSG4D18T4R7N-□□	4.7	100	162	0.84
CSG4D18T5R6N-□□	5.6	100	170	0.80
CSG4D18T6R8M-□□	6.8	100	180	0.76
CSG4D18T8R2M-□□	8.2	100	190	0.68
CSG4D18T100M-□□	10	100	200	0.61
CSG4D18T120M-□□	12	100	210	0.56
CSG4D18T150M-□□	15	100	240	0.50
CSG4D18T180M-□□	18	100	338	0.48
CSG4D18T220M-□□	22	100	397	0.41
CSG4D18T270M-□□	27	100	441	0.35
CSG4D18T330M-□□	33	100	694	0.32
CSG4D18T390M-□□	39	100	709	0.30

- Inductance Tolerance : M:±20%, N: ±30%
- Operating Temp : -40 to +125°C
- Rated current (RDC Isat) : For Inductance drop 35% from its value without current.
- Inductance measurement: HP4194A
- DCR measurement: 502BC milli-ohm meter.
- RDC measurement: 4284A+42841A+42842C
- MSL : LEVEL 1

## POWER INDUCTORS CSG SERIES

### CSG4D28T

#### 1. SHAPE & DIMENSION (UNIT:mm)



#### 2. ELECTRICAL

PART NO.	L(uH)	Test Freq.(KHz)	DCR(mΩ) max	RDC(A) Isat
CSG4D28T1R2N-□□	1.2	100	24	2.56
CSG4D28T1R8N-□□	1.8	100	28	2.20
CSG4D28T2R2N-□□	2.2	100	31	2.04
CSG4D28T2R7N-□□	2.7	100	43	1.60
CSG4D28T3R3N-□□	3.3	100	49	1.57
CSG4D28T3R9N-□□	3.9	100	65	1.44
CSG4D28T4R7N-□□	4.7	100	72	1.32
CSG4D28T5R6N-□□	5.6	100	101	1.17
CSG4D28T6R8M-□□	6.8	100	109	1.12
CSG4D28T8R2M-□□	8.2	100	117	1.04
CSG4D28T100M-□□	10	100	128	1.00
CSG4D28T120M-□□	12	100	132	0.84
CSG4D28T150M-□□	15	100	149	0.76
CSG4D28T180M-□□	18	100	166	0.72
CSG4D28T220M-□□	22	100	235	0.70
CSG4D28T270M-□□	27	100	261	0.58
CSG4D28T330M-□□	33	100	331	0.56
CSG4D28T390M-□□	39	100	384	0.50
CSG4D28T470M-□□	47	100	587	0.48
CSG4D28T560M-□□	56	100	624	0.41
CSG4D28T680M-□□	68	100	699	0.35



**HITANO ENTERPRISE CORP.**

TEL:886-2-22991331 FAX:886-2-22982466

## POWER INDUCTORS CSP SERIES

### CSG4D28T

#### 2. ELECTRICAL

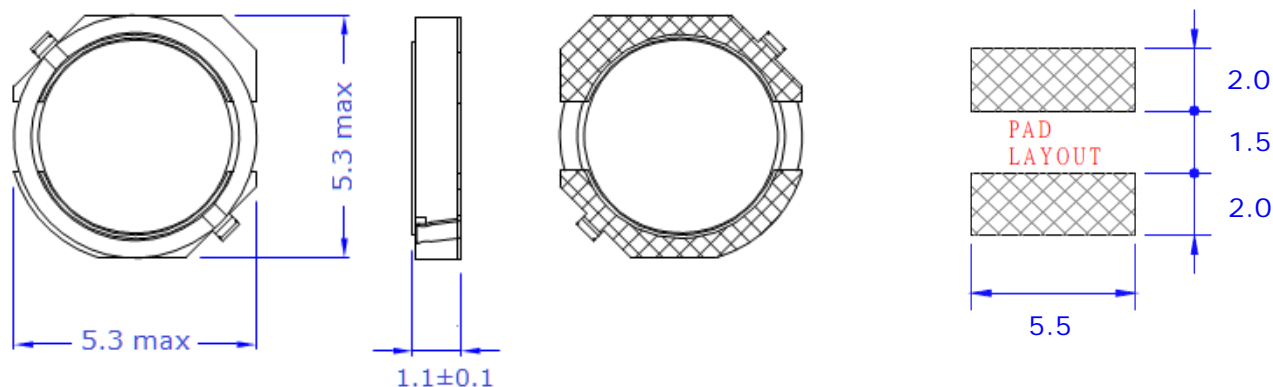
PART NO.	L(uH)	Test Freq.(KHz)	DCR(mΩ) max	RDC(A) Isat
CSG4D28T820M-□□	82	100	915	0.32
CSG4D28T101M-□□	100	100	1020	0.29
CSG4D28T121M-□□	120	100	1270	0.27
CSG4D28T151M-□□	150	100	1350	0.24
CSG4D28T181M-□□	180	100	1540	0.22

- Inductance Tolerance : M:±20%, N: ±30%
- Operating Temp : -40 to +125°C
- Rated current (RDC Isat) : For Inductance drop 35% from its value without current.
- Inductance measurement: HP4194A
- DCR measurement: 502BC milli-ohm meter.
- RDC measurement: 4284A+42841A+42842C
- MSL : LEVEL 1

## POWER INDUCTORS CSG SERIES

### CSG5D12T

#### 1. SHAPE & DIMENSION (UNIT:mm)



#### 2. ELECTRICAL

PART NO.	L(uH)	DCR(mΩ) max	RDC(A) Isat	RDC(A) Irms
CSG5D12T3R3N-□□	3.3	264	1.60	1.25
CSG5D12T4R7N-□□	4.7	310	1.50	1.20
CSG5D12T6R8M-□□	6.8	360	1.30	1.10
CSG5D12T8R2M-□□	8.2	480	1.12	0.95
CSG5D12T100M-□□	10	530	1.05	0.90
CSG5D12T120M-□□	12	600	0.92	0.85

]

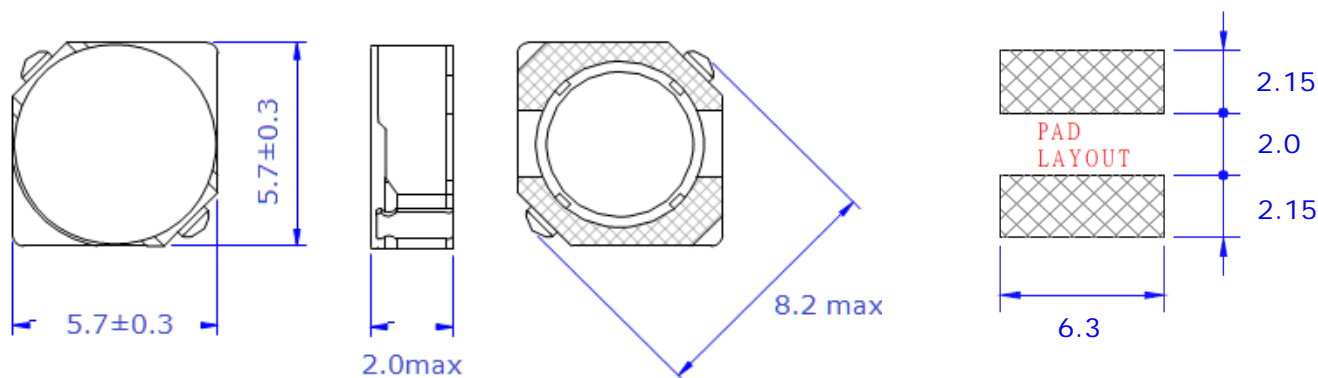
- Test Frequency: 100KHz
- Inductance Tolerance: M:±20%, N: ±30%
- Operating Temp : -40 to +125°C
- Rated current: smaller value of either Isat or Irms.  
Isat: The value of current causes a 35% inductance reduction from initial value.( at Ta: 20°C)  
Irms: The value of current causes a 40°C temperature rise.( at Ta: 20°C)
- Inductance measurement: HP4194A
- DCR measurement: 502BC milli-ohm meter.
- RDC measurement: 4284A+42841A+42842C
- MSL : LEVEL 1



## POWER INDUCTORS CSG SERIES

### CSG5D18T

#### 1. SHAPE & DIMENSION (UNIT:mm)



#### 2. ELECTRICAL

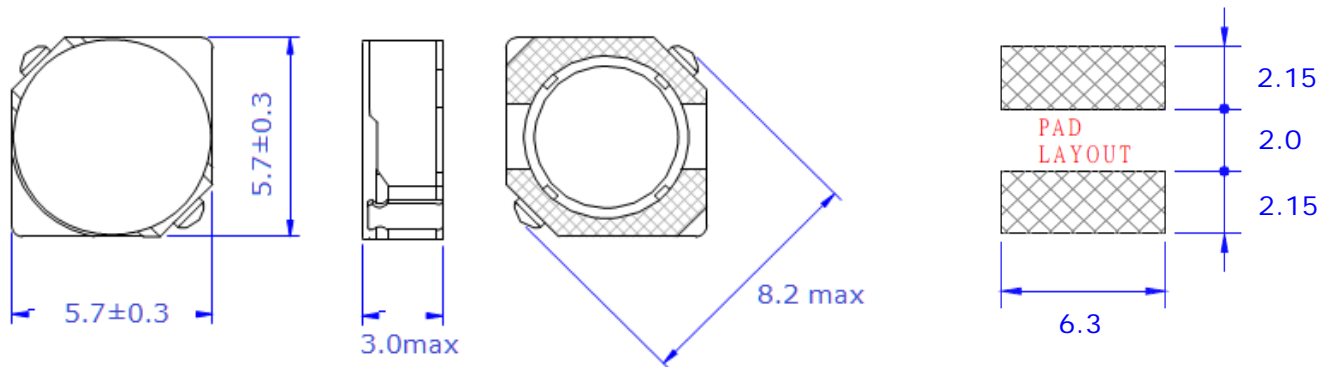
PART NO.	L(uH)	Test Freq.(KHz)	DCR(mΩ) max	RDC(A) Isat
CSG5D18T4R1N-□□	4.1	100	57	1.95
CSG5D18T5R4N-□□	5.4	100	76	1.60
CSG5D18T6R2M-□□	6.2	100	96	1.40
CSG5D18T8R9M-□□	8.9	100	116	1.25
CSG5D18T100M-□□	10	100	124	1.20
CSG5D18T120M-□□	12	100	153	1.10
CSG5D18T150M-□□	15	100	196	0.97
CSG5D18T180M-□□	18	100	210	0.85
CSG5D18T220M-□□	22	100	290	0.80
CSG5D18T270M-□□	27	100	330	0.75
CSG5D18T330M-□□	33	100	385	0.65
CSG5D18T390M-□□	39	100	520	0.57
CSG5D18T470M-□□	47	100	595	0.54
CSG5D18T560M-□□	56	100	665	0.50
CSG5D18T680M-□□	68	100	840	0.43
CSG5D18T820M-□□	82	100	978	0.41
CSG5D18T101M-□□	100	100	1200	0.36

- Inductance Tolerance : M:±20%, N: ±30%
- Operating Temp : -40 to +125°C
- Rated current (RDC Isat) : For Inductance drop 35% from its value without current.
- Inductance measurement: HP4194A
- DCR measurement: 502BC milli-ohm meter.
- RDC measurement: 4284A+42841A+42842C
- MSL : LEVEL 1

## POWER INDUCTORS CSG SERIES

### CSG5D28T

#### 1. SHAPE & DIMENSION (UNIT:mm)



#### 2. ELECTRICAL

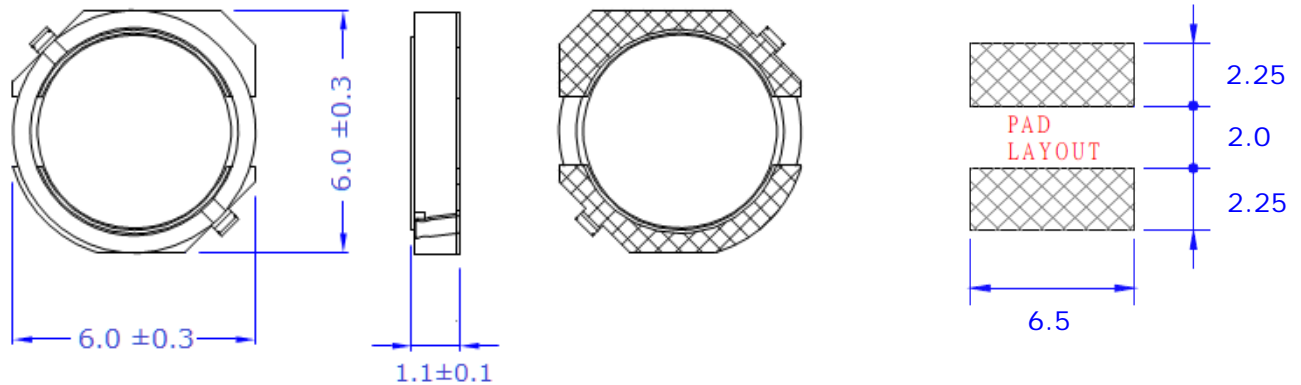
PART NO.	L(uH)	Test Freq.(KHz)	DCR(mΩ) max	RDC(A) Isat
CSG5D28T2R5N-□□	2.5	100	18	2.60
CSG5D28T3R0N-□□	3.0	100	24	2.40
CSG5D28T4R2N-□□	4.2	100	31	2.20
CSG5D28T5R3M-□□	5.3	100	38	1.90
CSG5D28T6R2M-□□	6.2	100	45	1.80
CSG5D28T8R2M-□□	8.2	100	53	1.60
CSG5D28T100M-□□	10	100	65	1.30
CSG5D28T120M-□□	12	100	76	1.20
CSG5D28T150M-□□	15	100	103	1.10
CSG5D28T180M-□□	18	100	110	1.00
CSG5D28T220M-□□	22	100	122	0.90
CSG5D28T270M-□□	27	100	175	0.85
CSG5D28T330M-□□	33	100	189	0.75
CSG5D28T390M-□□	39	100	212	0.70
CSG5D28T470M-□□	47	100	250	0.62
CSG5D28T560M-□□	56	100	305	0.58
CSG5D28T680M-□□	68	100	355	0.52
CSG5D28T820M-□□	82	100	463	0.46
CSG5D28T101M-□□	100	100	520	0.42

- Inductance Tolerance : M:±20%, N: ±30%
- Operating Temp : -40 to +125°C
- Rated current (RDC Isat) : For Inductance drop 35% from its value without current.
- Inductance measurement: HP4194A
- DCR measurement: 502BC milli-ohm meter.
- RDC measurement: 4284A+42841A+42842C
- MSL : LEVEL 1

## POWER INDUCTORS CSG SERIES

### CSG6D12T

#### 1. SHAPE & DIMENSION (UNIT:mm)



#### 2. ELECTRICAL

PART NO.	L(uH)	DCR(mΩ) max	RDC(A) Isat	RDC(A) Irms
CSG6D12T3R0N-□□	3.0	120	1.90	2.00
CSG6D12T4R7N-□□	4.7	180	1.80	1.90
CSG6D12T6R8M-□□	6.8	210	1.60	1.80
CSG6D12T8R2M-□□	8.2	280	1.30	1.60
CSG6D12T100M-□□	10	310	1.10	1.50
CSG6D12T120M-□□	12	450	1.00	1.20
CSG6D12T150M-□□	15	480	0.95	1.10

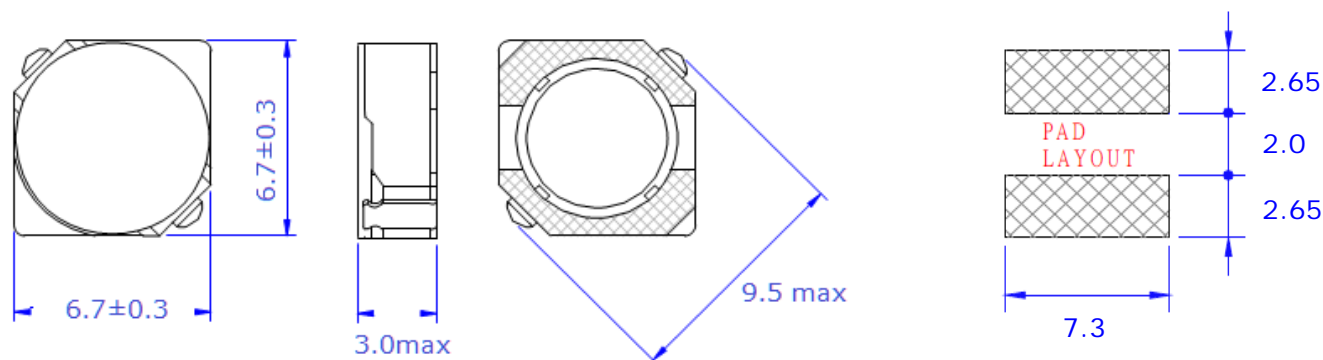
]

- Test Frequency: 100KHz
- Inductance Tolerance: M:±20%, N: ±30%
- Operating Temp : -40 to +125°C
- Rated current: smaller value of either Isat or Irms.  
Isat: The value of current causes a 35% inductance reduction from initial value.( at Ta: 20°C)  
Irms: The value of current causes a 40°C temperature rise.( at Ta: 20°C)
- Inductance measurement: HP4194A
- DCR measurement: 502BC milli-ohm meter.
- RDC measurement: 4284A+42841A+42842C
- MSL : LEVEL 1

## POWER INDUCTORS CSG SERIES

### CSG6D28T

#### 1. SHAPE & DIMENSION (UNIT:mm)



#### 2. ELECTRICAL

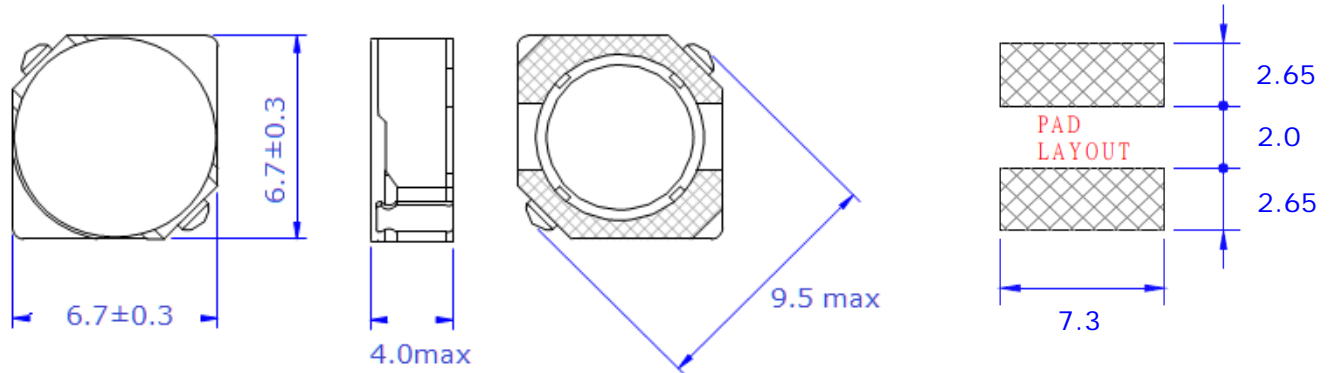
PART NO.	L(uH)	Test Freq.(KHz)	DCR(mΩ) max	RDC(A) Isat
CSG6D28T3R0N-□□	3.0	100	24	3.00
CSG6D28T3R9N-□□	3.9	100	27	2.60
CSG6D28T5R0M-□□	5.0	100	31	2.40
CSG6D28T6R0M-□□	6.0	100	35	2.25
CSG6D28T7R3M-□□	7.3	100	54	2.10
CSG6D28T8R6M-□□	8.6	100	58	1.85
CSG6D28T100M-□□	10	100	65	1.70
CSG6D28T120M-□□	12	100	70	1.55
CSG6D28T150M-□□	15	100	84	1.40
CSG6D28T180M-□□	18	100	95	1.32
CSG6D28T220M-□□	22	100	128	1.20
CSG6D28T270M-□□	27	100	142	1.05
CSG6D28T330M-□□	33	100	165	0.97
CSG6D28T390M-□□	39	100	210	0.86
CSG6D28T470M-□□	47	100	238	0.80
CSG6D28T560M-□□	56	100	277	0.73
CSG6D28T680M-□□	68	100	304	0.65
CSG6D28T820M-□□	82	100	390	0.60
CSG6D28T101M-□□	100	100	535	0.54

- Inductance Tolerance : M:±20%, N: ±30%
- Operating Temp : -40 to +125°C
- Rated current (RDC Isat) : For Inductance drop 35% from its value without current.
- Inductance measurement: HP4194A
- DCR measurement: 502BC milli-ohm meter.
- RDC measurement: 4284A+42841A+42842C
- MSL : LEVEL 1

## POWER INDUCTORS CSG SERIES

### CSG6D38T

#### 1. SHAPE & DIMENSION (UNIT:mm)



#### 2. ELECTRICAL

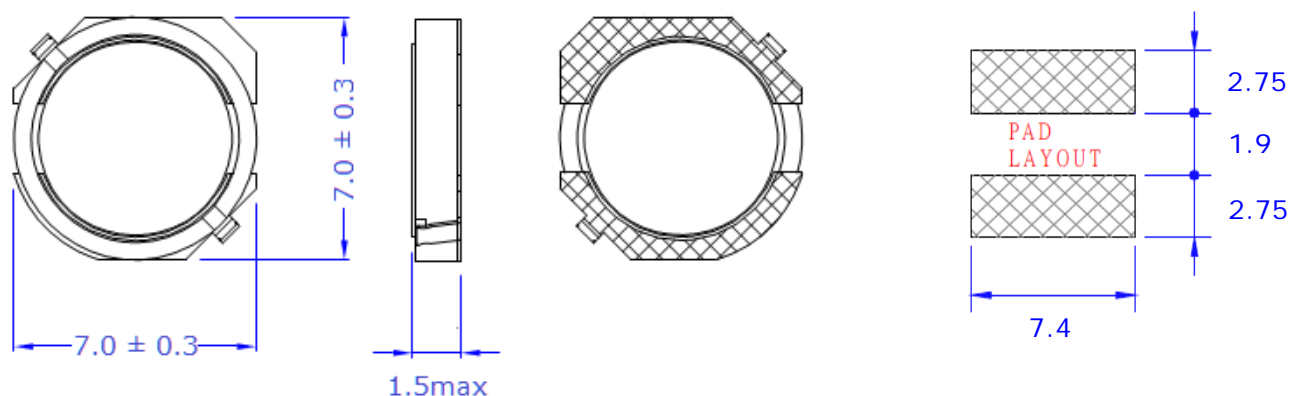
PART NO.	L(uH)	Test Freq.(KHz)	DCR(mΩ) max	RDC(A) Isat
CSG6D38T3R3N-□□	3.3	100	20	3.50
CSG6D38T5R0M-□□	5.0	100	24	2.90
CSG6D38T6R2M-□□	6.2	100	27	2.50
CSG6D38T7R4M-□□	7.4	100	31	2.30
CSG6D38T8R7M-□□	8.7	100	34	2.20
CSG6D38T100M-□□	10	100	38	2.00
CSG6D38T120M-□□	12	100	53	1.70
CSG6D38T150M-□□	15	100	57	1.60
CSG6D38T180M-□□	18	100	92	1.50
CSG6D38T220M-□□	22	100	96	1.30
CSG6D38T270M-□□	27	100	109	1.20
CSG6D38T330M-□□	33	100	124	1.10
CSG6D38T390M-□□	39	100	138	1.00
CSG6D38T470M-□□	47	100	155	0.95
CSG6D38T560M-□□	56	100	202	0.85
CSG6D38T680M-□□	68	100	234	0.75
CSG6D38T820M-□□	82	100	324	0.70
CSG6D38T101M-□□	100	100	358	0.65

- Inductance Tolerance : M:±20%, N: ±30%
- Operating Temp : -40 to +125°C
- Rated current (RDC Isat) : For Inductance drop 35% from its value without current.
- Inductance measurement: HP4194A
- DCR measurement: 502BC milli-ohm meter.
- RDC measurement: 4284A+42841A+42842C
- MSL : LEVEL 1

## POWER INDUCTORS CSG SERIES

### CSG7D15T

#### 1. SHAPE & DIMENSION (UNIT:mm)



#### 2. ELECTRICAL

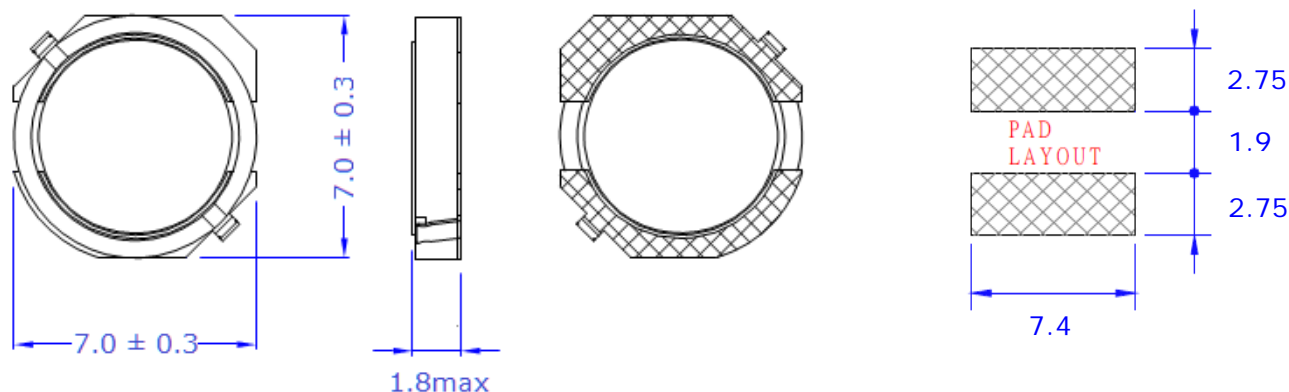
PART NO.	L(uH)	DCR(mΩ) max	RDC(A) Isat
CSG7D15T3R3N-□□	3.3	65	2.80
CSG7D15T4R7N-□□	4.7	70	2.50
CSG7D15T6R8M-□□	6.8	106	2.10
CSG7D15T100M-□□	10	150	1.40
CSG7D15T150M-□□	15	195	1.10
CSG7D15T220M-□□	22	300	0.90

- Test Frequency: 100KHz
- Inductance Tolerance: M:±20%, N: ±30%
- Operating Temp : -40 to +125°C
- Rated current: smaller value of either Isat or Irms.  
Isat: The value of current causes a 35% inductance reduction from initial value.( at Ta: 20°C)
- Inductance measurement: HP4194A
- DCR measurement: 502BC milli-ohm meter.
- RDC measurement: 4284A+42841A+42842C
- MSL : LEVEL 1

## POWER INDUCTORS CSG SERIES

### CSG7D18T

#### 1. SHAPE & DIMENSION (UNIT:mm)



#### 2. ELECTRICAL

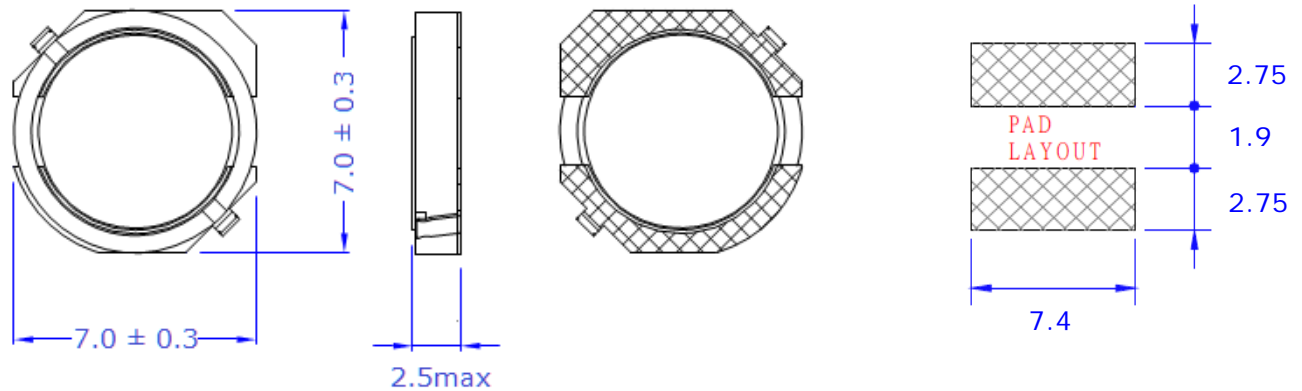
PART NO.	L(uH)	DCR(mΩ) max	RDC(A) Isat
CSG7D18T2R2N-□□	2.2	60	3.80
CSG7D18T3R3N-□□	3.3	67	3.20
CSG7D18T4R7N-□□	4.7	96	2.80
CSG7D18T5R6N-□□	5.6	102	2.60
CSG7D18T6R8M-□□	6.8	142	2.20
CSG7D18T8R0M-□□	8.0	146	2.00
CSG7D18T100M-□□	10	148	1.70
CSG7D18T120M-□□	12	221	1.60
CSG7D18T150M-□□	15	276	1.30
CSG7D18T180M-□□	18	350	1.40
CSG7D18T220M-□□	22	400	1.10

- Test Frequency: 100KHz
- Inductance Tolerance: M:±20%, N: ±30%
- Operating Temp : -40 to +125°C
- Rated current: smaller value of either Isat or Irms.  
Isat: The value of current causes a 35% inductance reduction from initial value.( at Ta: 20°C)
- Inductance measurement: HP4194A
- DCR measurement: 502BC milli-ohm meter.
- RDC measurement: 4284A+42841A+42842C
- MSL : LEVEL 1

## POWER INDUCTORS CSG SERIES

### CSG7D25T

#### 1. SHAPE & DIMENSION (UNIT:mm)



#### 2. ELECTRICAL

PART NO.	L(uH)	DCR(mΩ) max	RDC(A) Isat
CSG7D25T2R7N-□□	2.7	47	4.00
CSG7D25T4R7N-□□	4.7	70	3.20
CSG7D25T6R8M-□□	6.8	77	2.80
CSG7D25T8R2M-□□	8.2	92	2.60
CSG7D25T100M-□□	10	120	2.40
CSG7D25T120M-□□	12	130	2.00
CSG7D25T150M-□□	15	147	1.70
CSG7D25T180M-□□	18	193	1.60
CSG7D25T220M-□□	22	216	1.50

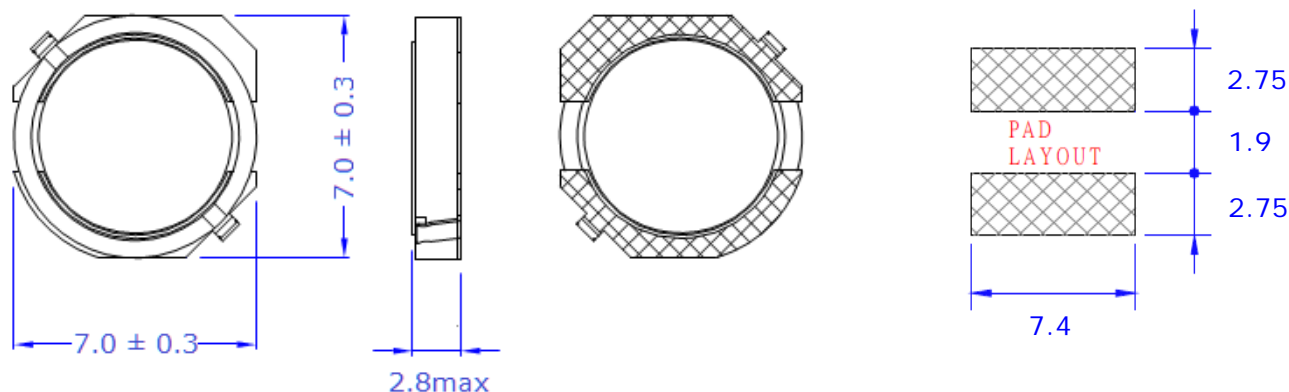
- Test Frequency: 100KHz
- Inductance Tolerance: M:±20%, N: ±30%
- Operating Temp : -40 to +125°C
- Rated current: smaller value of either Isat or Irms.  
Isat: The value of current causes a 35% inductance reduction from initial value.( at Ta: 20°C)
- Inductance measurement: HP4194A
- DCR measurement: 502BC milli-ohm meter.
- RDC measurement: 4284A+42841A+42842C
- MSL : LEVEL 1



## POWER INDUCTORS CSG SERIES

### CSG7D28T

#### 1. SHAPE & DIMENSION (UNIT:mm)



#### 2. ELECTRICAL

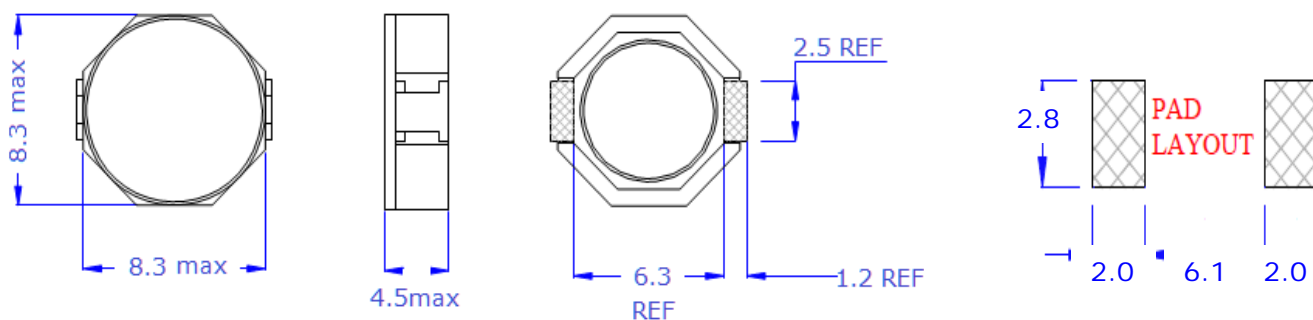
PART NO.	L(uH)	DCR(mΩ) max	RDC(A) Isat
CSG7D28T1R8N-□□	1.8	27	4.50
CSG7D28T2R7N-□□	2.7	33	4.00
CSG7D28T3R3N-□□	3.3	36	3.50
CSG7D28T4R3N-□□	4.3	48	3.20
CSG7D28T5R0M-□□	5.0	49	3.00
CSG7D28T6R2M-□□	6.2	56	2.80
CSG7D28T8R7M-□□	8.7	70	2.60
CSG7D28T100M-□□	10	77	2.40
CSG7D28T120M-□□	12	91	2.20
CSG7D28T150M-□□	15	104	1.90
CSG7D28T180M-□□	18	135	1.80

- Test Frequency: 100KHz
- Inductance Tolerance: M:±20%, N: ±30%
- Operating Temp : -40 to +125°C
- Rated current: smaller value of either Isat or Irms.  
Isat: The value of current causes a 35% inductance reduction from initial value.( at Ta: 20°C)
- Inductance measurement: HP4194A
- DCR measurement: 502BC milli-ohm meter.
- RDC measurement: 4284A+42841A+42842C
- MSL : LEVEL 1

## POWER INDUCTORS CSG SERIES

### CSG8D43T

#### 1. SHAPE & DIMENSION (UNIT:mm)



#### 2. ELECTRICAL

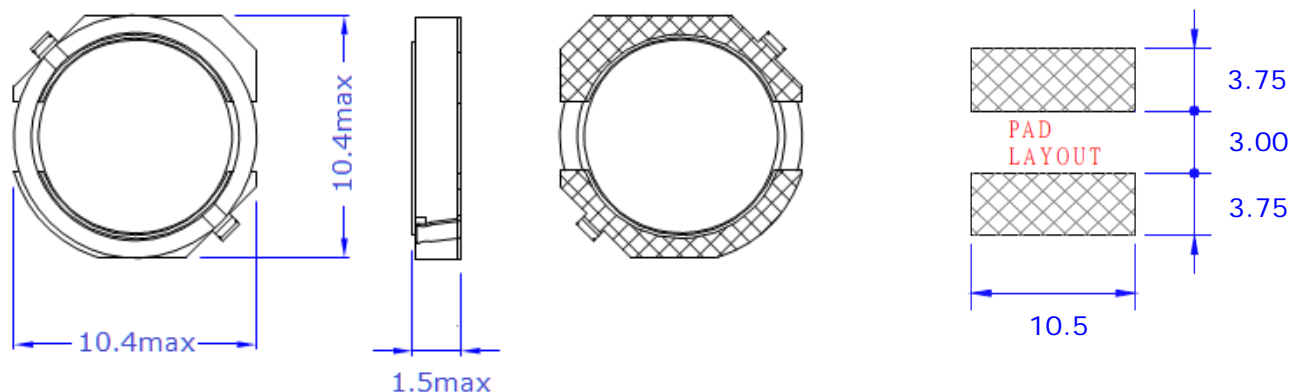
PART NO.	L(uH)	Test Freq.(KHz)	DCR(mΩ) max	RDC(A) Isat
CSG8D43T3R3N-□□	3.3	100	22	5.80
CSG8D43T4R7M-□□	4.7	100	22	5.60
CSG8D43T6R8M-□□	6.8	100	38	4.20
CSG8D43T100M-□□	10	100	45	3.70
CSG8D43T150M-□□	15	100	53	2.90
CSG8D43T220M-□□	22	100	75	2.60
CSG8D43T330M-□□	33	100	125	2.20
CSG8D43T470M-□□	47	100	150	1.80
CSG8D43T680M-□□	68	100	240	1.50
CSG8D43T101M-□□	100	100	360	1.30

- Inductance Tolerance : M:±20%, N: ±30%
- Operating Temp : -40 to +125°C
- Rated current (RDC Isat) : For Inductance drop 35% from its value without current.
- Inductance measurement: HP4194A
- DCR measurement: 502BC milli-ohm meter.
- RDC measurement: 4284A+42841A+42842C
- MSL : LEVEL 1

## POWER INDUCTORS CSG SERIES

### CSG10D15T

#### 1. SHAPE & DIMENSION (UNIT:mm)



#### 2. ELECTRICAL

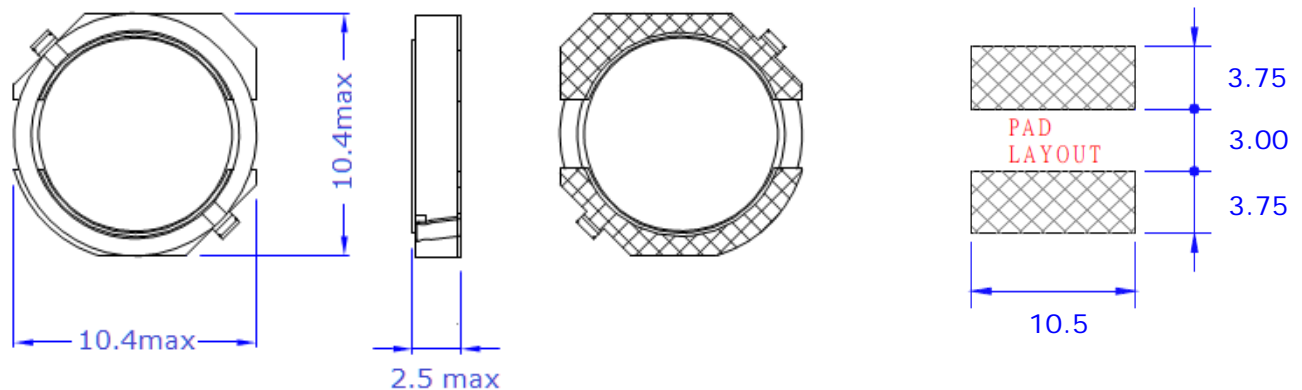
PART NO.	L(uH)	DCR(mΩ) max	RDC(A) Isat	RDC(A) Irms
CSG10D15T3R3N-□□	3.3	70	3.40	2.90
CSG10D15T4R7N-□□	4.7	84	3.60	2.65
CSG10D15T6R8M-□□	6.8	115	2.60	2.25
CSG10D15T100M-□□	10	170	2.30	1.75
CSG10D15T120M-□□	12	185	2.10	1.70
CSG10D15T150M-□□	15	220	1.65	1.50
CSG10D15T180M-□□	18	230	1.55	1.35
CSG10D15T220M-□□	22	320	1.45	1.25
CSG10D15T270M-□□	27	340	1.40	1.15
CSG10D15T330M-□□	33	410	1.20	1.00
CSG10D15T390M-□□	39	530	0.95	0.90
CSG10D15T470M-□□	47	580	0.80	0.75

- Test Frequency: 100KHz
- Inductance Tolerance: M:±20%, N: ±30%
- Operating Temp : -40 to +125°C
- Rated current: smaller value of either Isat or Irms.  
Isat: The value of current causes a 35% inductance reduction from initial value.( at Ta: 20°C)  
Irms: The value of current causes a 40°C temperature rise.( at Ta: 20°C)
- Inductance measurement: HP4194A
- DCR measurement: 502BC milli-ohm meter.
- RDC measurement: 4284A+42841A+42842C
- MSL : LEVEL 1

## POWER INDUCTORS CSG SERIES

### CSG10D25T

#### 1. SHAPE & DIMENSION (UNIT:mm)



#### 2. ELECTRICAL

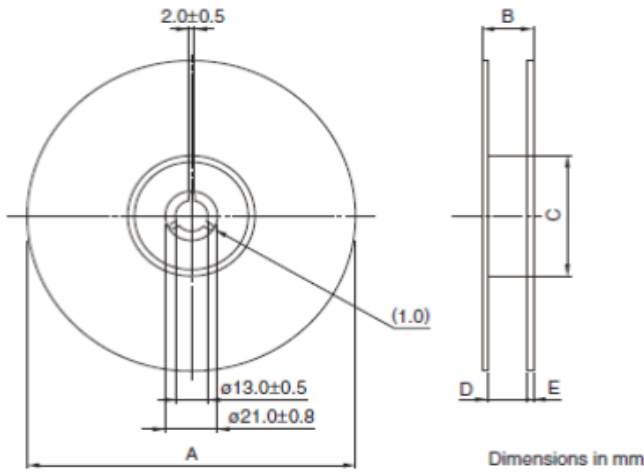
PART NO.	L(uH)	DCR(mΩ) max	RDC(A) Isat	RDC(A) Irms
CSG10D25T3R3N-□□	3.3	46	5.20	4.00
CSG10D25T4R7N-□□	4.7	54	4.20	3.70
CSG10D25T6R8M-□□	6.8	56	3.80	3.50
CSG10D25T100M-□□	10	85	3.00	2.70
CSG10D25T120M-□□	12	116	2.80	2.25
CSG10D25T150M-□□	15	123	2.40	2.15
CSG10D25T180M-□□	18	143	2.35	2.00
CSG10D25T220M-□□	22	180	2.30	1.75
CSG10D25T270M-□□	27	204	2.00	1.60
CSG10D25T330M-□□	33	263	1.60	1.40
CSG10D25T390M-□□	39	292	1.50	1.30
CSG10D25T470M-□□	47	360	1.30	1.20
CSG10D25T560M-□□	56	452	1.20	1.05
CSG10D25T680M-□□	68	509	1.10	1.00

- Test Frequency: 100KHz
- Inductance Tolerance: M:±20%, N: ±30%
- Operating Temp : -40 to +125°C
- Rated current: smaller value of either Isat or Irms.  
Isat: The value of current causes a 35% inductance reduction from initial value.( at Ta: 20°C)  
Irms: The value of current causes a 40°C temperature rise.( at Ta: 20°C)
- Inductance measurement: HP4194A
- DCR measurement: 502BC milli-ohm meter.
- RDC measurement: 4284A+42841A+42842C
- MSL : LEVEL 1

# WIRE WOUND POWER INDUCTOR CSG SERIES

## ■ Packaging

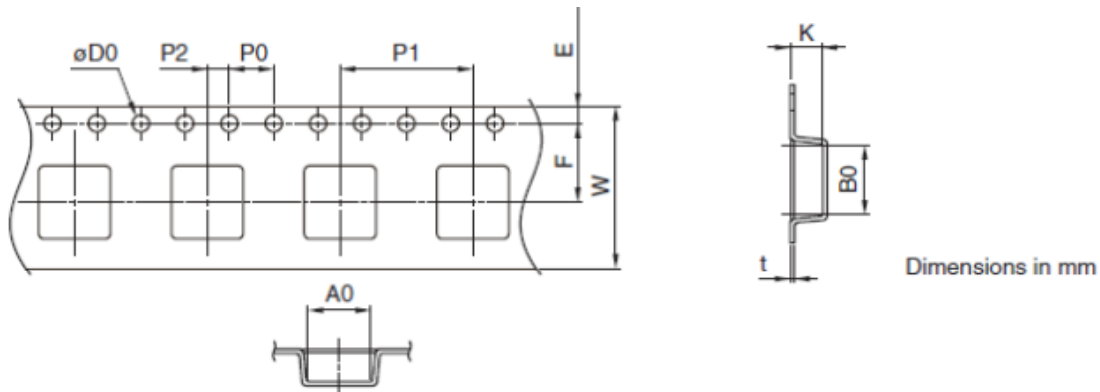
### ■ Reel Dimension



Type	A	B <sub>ref</sub>	C <sub>ref</sub>	D <sub>ref</sub>	E <sub>ref</sub>
CSG2D11	φ180	16.4	φ50	12.4	2
CSG3016	φ180	16.4	φ50	12.4	2
CSG4D**	φ330	22.4	φ50	16.4	2
CSG5D**	φ330	22.4	φ50	16.4	2
CSG6D**	φ330	22.4	φ50	16.4	2
CSG7D**	φ330	22.4	φ50	16.4	2
CSG8D**	φ330	22.4	φ50	16.4	2
CSG10D**	φ330	30.4	φ50	24.4	2

Unit: mm

### ■ Tape Dimensions



Type	A <sub>0</sub> max	B <sub>0</sub> max	φD <sub>0</sub>	E	F	P <sub>0</sub>	P <sub>1</sub>	P <sub>2</sub>	W	K <sub>max</sub>	t
CSG2D11	2.3	2.3	1.5+0.1/-0	1.75±0.1	5.5±0.1	4.0±0.1	8.0±0.1	2.0±0.05	12.0±0.3	1.5	0.4
CSG3D16	3.3	3.3	1.5+0.1/-0	1.75±0.1	5.5±0.1	4.0±0.1	8.0±0.1	2.0±0.05	12.0±0.3	2.0	0.4
CSG4D18	4.4	4.4	1.5+0.1/-0	1.75±0.1	5.5±0.1	4.0±0.1	8.0±0.1	2.0±0.05	12.0±0.3	2.2	0.4
CSG4D28	4.4	4.4	1.5+0.1/-0	1.75±0.1	5.5±0.1	4.0±0.1	8.0±0.1	2.0±0.05	12.0±0.3	3.2	0.4
CSG5D12	5.35	5.35	1.5+0.1/-0	1.75±0.1	5.5±0.1	4.0±0.1	8.0±0.1	2.0±0.05	12.0±0.3	1.5	0.4
CSG5D18	5.35	5.35	1.5+0.1/-0	1.75±0.1	5.5±0.1	4.0±0.1	8.0±0.1	2.0±0.05	12.0±0.3	2.2	0.4
CSG5D28	5.35	5.35	1.5+0.1/-0	1.75±0.1	5.5±0.1	4.0±0.1	8.0±0.1	2.0±0.05	12.0±0.3	3.2	0.4
CSG6D12	6.4	6.4	1.5+0.1/-0	1.75±0.1	7.5±0.1	4.0±0.1	12.0±0.1	2.0±0.05	16.0±0.3	1.7	0.4
CSG6D28	6.4	6.4	1.5+0.1/-0	1.75±0.1	7.5±0.1	4.0±0.1	12.0±0.1	2.0±0.05	16.0±0.3	3.2	0.4
CSG6D38	6.4	6.4	1.5+0.1/-0	1.75±0.1	7.5±0.1	4.0±0.1	12.0±0.1	2.0±0.05	16.0±0.3	4.2	0.4
CSG7D15	7.4	7.4	1.5+0.1/-0	1.75±0.1	7.5±0.1	4.0±0.1	12.0±0.1	2.0±0.05	16.0±0.3	1.9	0.4
CSG7D18	7.4	7.4	1.5+0.1/-0	1.75±0.1	7.5±0.1	4.0±0.1	12.0±0.1	2.0±0.05	16.0±0.3	2.2	0.4
CSG7D25	7.4	7.4	1.5+0.1/-0	1.75±0.1	7.5±0.1	4.0±0.1	12.0±0.1	2.0±0.05	16.0±0.3	2.7	0.4
CSG7D28	7.4	7.4	1.5+0.1/-0	1.75±0.1	7.5±0.1	4.0±0.1	12.0±0.1	2.0±0.05	16.0±0.3	3.2	0.4
CSG8D43	8.4	8.4	1.5+0.1/-0	1.75±0.1	7.5±0.1	4.0±0.1	12.0±0.1	2.0±0.05	16.0±0.3	4.7	0.4
CSG10D15	13	13	1.5+0.1/-0	1.75±0.1	11.5±0.1	4.0±0.1	16.0±0.1	2.0±0.05	24.0±0.3	2.0	0.4
CSG10D25	13	13	1.5+0.1/-0	1.75±0.1	11.5±0.1	4.0±0.1	16.0±0.1	2.0±0.05	24.0±0.3	2.7	0.4