

Data Sheet

Customer: _____

Product: SMD Power Inductor – CSP Series _____

Size : 0603/0605/0703/0704/1204/1205/1207/1209 _____

Issued Date: 15-Aug.-2023 _____

Edition: Ver. 2 _____

Record of change

Date	Ver.	Description	Page
24-Apr.-2017	1		
15-Aug.-2023	2	Revised Tol. / Part No. Temp. > T.W & Add shape	1~21

HITANO ENTERPRISE CORP.

7F-7, No. 3, Wu Chuan 1st Road, New Taipei Industrial Park,

New Taipei City, TAIWAN, R.O.C.

Tel: +886 2 2299 1331 (Rep.)

Fax: +886 2 2298 2466, 2298 2969

Prepared by	Checked by	Approved	Accepted by
15-Aug.-2023	15-Aug.-2023	15-Aug.-2023	
Hwa Wu	Andy Hsu	Arthur Su	

--	--	--	--

SMD POWER INDUCTOR

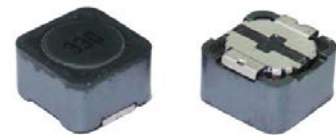
CSP SERIES

■ Features

- * The CSP series are characterized by low profile, low DC resistance, and high current handling
- * Magnetically shielded, these parts can be used in high-density mounting configurations.
- * Flat bottom surface ensures secure, reliable mounting.
- * Provided in embossed carrier tape packaging for use with automatic mounting machines.

■ Application

- * Portable Telephone.
- * Personal Computers.
- * DC/DC Converters, etc.
- * Other Various Electronic Equipment.



■ Shape

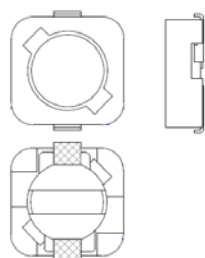


Figure 1

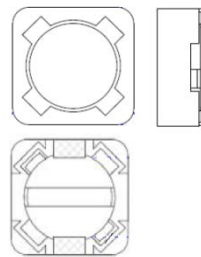


Figure 2

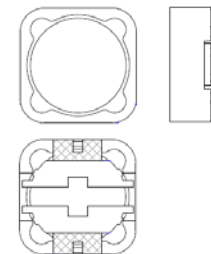


Figure 3

Type	Figure	Type	Figure
CSP0603W	1	CSP1205T	3
CSP0605W	1	CSP1205W	3
CSP0703W	2	CSP1207T	3
CSP0704W	2	CSP1207W	3
CSP1204T	3	CSP1209W	3
CSP1204W	3		

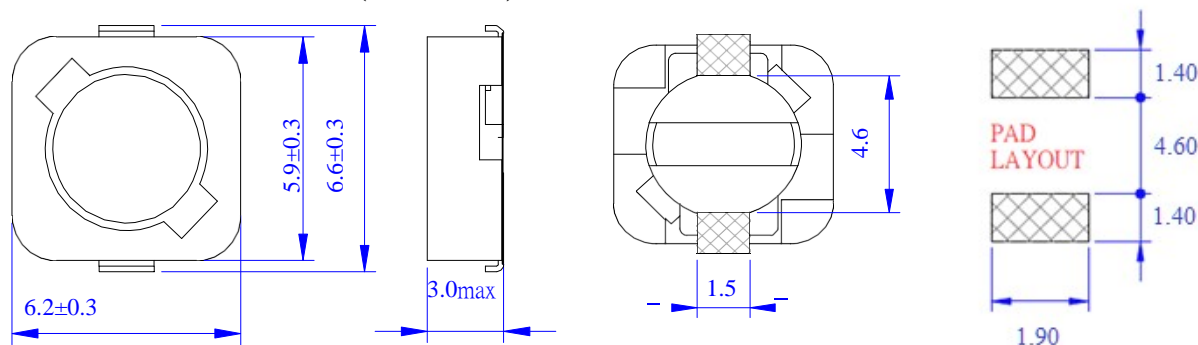
■ Part Numbering

<u>CSP</u> SERIES	<u>0603</u> SIZE	<u>W</u> TEMPERATURE	<u>4R7</u> INDUCTANCE	<u>M</u> TOLERANCE	-	<u>□□</u> INTERNAL CODE
	0603	T : +105°C	R47 = 0.47uH	M = ±20%		
	0605	W : +125°C	4R7 = 4.7uH	N = ±25%		
	0703		101 = 100uH	Y = ±30%		
	0704		152 = 1500uH			
	1204					
	1205					
	1207					
	1209					

POWER INDUCTORS CSP SERIES

CSP0603W

1. SHAPE & DIMENSION (UNIT:mm)



2. ELECTRICAL

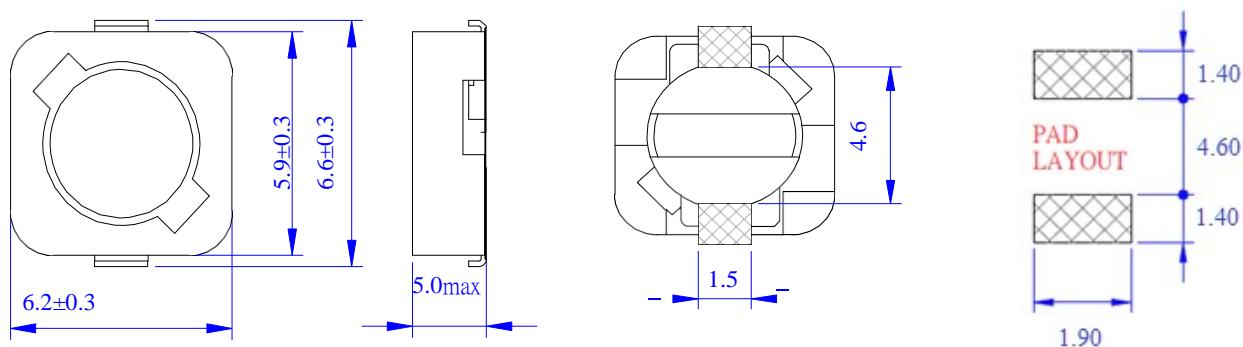
PART NO.	Inductance (uH)	Tolerance	DCR (mΩ) max	RDC (A) Isat	RDC (A) Irms
CSP0603W1R0□-□□	1.0	Y	39	4.50	3.50
CSP0603W2R2□-□□	2.2	Y	54	3.30	2.90
CSP0603W3R3□-□□	3.3	Y	67	3.00	2.80
CSP0603W4R7□-□□	4.7	Y	78	2.50	2.65
CSP0603W6R8□-□□	6.8	M, N	100	2.00	2.30
CSP0603W100□-□□	10	M, N	125	1.60	1.90
CSP0603W150□-□□	15	M, N	200	1.40	1.60
CSP0603W220□-□□	22	M, N	250	1.10	1.35
CSP0603W270□-□□	27	M, N	360	1.00	0.90
CSP0603W330□-□□	33	M, N	400	0.90	0.85
CSP0603W470□-□□	47	M, N	600	0.74	0.85
CSP0603W101□-□□	100	M, N	1060	0.50	0.65

- □ Tolerance : M:±20%, N: ±25% ,Y:±30%
- Test frequency : 100KHz
- The operating temperature range is -40 °C ~ +125°C (Including self-temperature rise)
- Rated current: smaller value of either Irms or Isat
 Irms: The value of DC current when the temperature rise is $\Delta T \cong 40^\circ\text{C}$. ($T_a=20^\circ\text{C}$)
 Isat: For inductance drop 10% from its value without current
- Inductance measurement: HP4194A
- DCR measurement: 502BC milli-ohm meter.
- RDC measurement: 4284A+42841A+42842C

POWER INDUCTORS CSP SERIES

CSP0605W

1. SHAPE & DIMENSION (UNIT:mm)



2. ELECTRICAL

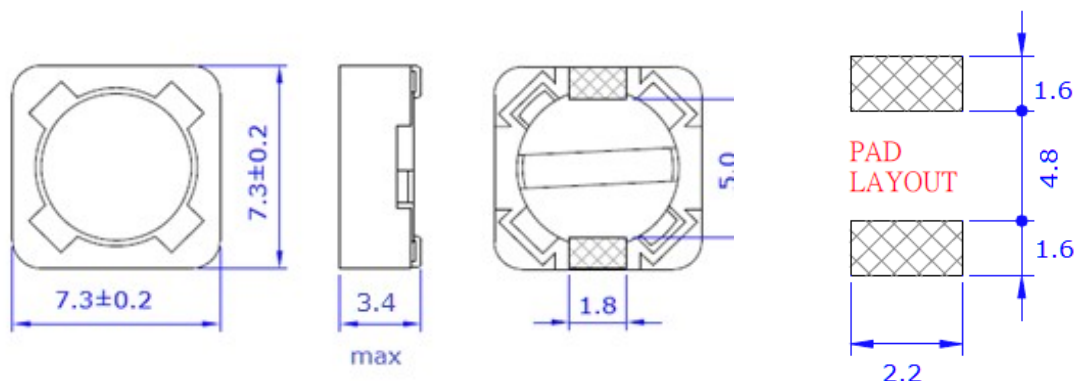
PART NO.	Inductance (uH)	Tolerance	DCR (mΩ) max	RDC (A) Isat	RDC (A) Irms
CSP0605W1R0□-□□	1.0	Y	34	5.5	5.0
CSP0605W2R2□-□□	2.2	Y	49	4.0	3.5
CSP0605W4R7□-□□	4.7	Y	65	2.8	2.8
CSP0605W6R8□-□□	6.8	M, N	75	2.3	2.5
CSP0605W8R2□-□□	8.2	M, N	80	2.1	2.3
CSP0605W100□-□□	10	M, N	88	1.8	2.1
CSP0605W220□-□□	22	M, N	115	1.3	2.0
CSP0605W470□-□□	47	M, N	298	0.8	1.4

- Tolerance : M:±20%, N: ±25% ,Y:±30%
- Test frequency : 100KHz
- The operating temperature range is -40 °C ~ +125°C (Including self-temperature rise)
- Rated current: smaller value of either Irms or Isat
- Irms: The value of DC current when temperature rise is $\Delta T \leq 40^\circ\text{C}$. ($T_a = 20^\circ\text{C}$)
- Isat: For inductance drop 10% from its value without current
- Inductance measurement: HP4194A
- DCR measurement: 502BC milli-ohm meter.
- RDC measurement: 4284A+42841A+42842C
- MSL : LEVEL 1

POWER INDUCTORS CSP SERIES

CSP0703W

1. SHAPE & DIMENSION (UNIT:mm)



ELECTRICAL

PART NO.	Inductance (uH)	Tolerance	DCR (mΩ) max	RDC (A) Isat	RDC (A) Irms
CSP0703W1R0□-□□	1.0	Y	0.012	6.40	5.37
CSP0703W2R2□-□□	2.2	Y	0.020	4.80	4.02
CSP0703W3R3□-□□	3.3	Y	0.0325	4.10	3.10
CSP0703W4R7□-□□	4.7	Y	0.060	4.20	2.32
CSP0703W100□-□□	10	M , N	0.072	2.20	1.83
CSP0703W120□-□□	12	M , N	0.098	2.15	1.73
CSP0703W150□-□□	15	M , N	0.13	1.75	1.51
CSP0703W180□-□□	18	M , N	0.14	1.70	1.41
CSP0703W220□-□□	22	M , N	0.19	1.40	1.38
CSP0703W270□-□□	27	M , N	0.21	1.30	1.27
CSP0703W330□-□□	33	M , N	0.24	1.15	1.22
CSP0703W390□-□□	39	M , N	0.32	1.10	1.03
CSP0703W470□-□□	47	M , N	0.36	1.00	0.85
CSP0703W560□-□□	56	M , N	0.47	0.88	0.84
CSP0703W680□-□□	68	M , N	0.52	0.84	0.74
CSP0703W820□-□□	82	M , N	0.69	0.78	0.69
CSP0703W101□-□□	100	M , N	0.79	0.76	0.62
CSP0703W121□-□□	120	M , N	0.89	0.68	0.60
CSP0703W151□-□□	150	M , N	1.27	0.53	0.56

POWER INDUCTORS CSP SERIES

CSP0703W

2. ELECTRICAL

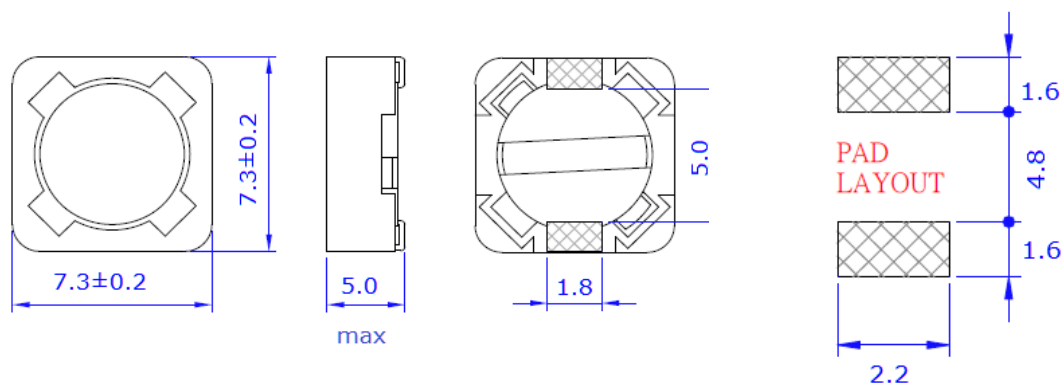
PART NO.	Inductance (uH)	Tolerance	DCR (mΩ) max	RDC (A) Isat	RDC (A) Irms
CSP0703W181□-□□	180	M , N	1.45	0.50	0.49
CSP0703W221□-□□	220	M , N	1.65	0.42	0.43
CSP0703W271□-□□	270	M , N	2.31	0.39	0.40
CSP0703W331□-□□	330	M , N	2.62	0.35	0.32
CSP0703W391□-□□	390	M , N	2.94	0.34	0.30
CSP0703W471□-□□	470	M , N	4.18	0.31	0.30
CSP0703W561□-□□	560	M , N	4.67	0.30	0.27
CSP0703W681□-□□	680	M , N	5.73	0.22	0.22
CSP0703W821□-□□	820	M , N	6.50	0.20	0.21
CSP0703W102□-□□	1000	M , N	9.44	0.18	0.20

- □ Tolerance : M:±20%, N: ±25% ,Y:±30%
- Test frequency : 1KHz
- The operating temperature range is -40 °C ~ +125°C (Including self-temperature rise)
- Rated current: smaller value of either Irms or Isat
 Irms: The value of DC current when temperature rise is $\Delta T \cong 40^{\circ}\text{C}$. (Ta=20°C)
 Isat: For inductance drop 10% from its value without current
- Inductance measurement: HP4194A
- DCR measurement: 502BC milli-ohm meter.
- RDC measurement: 4284A+42841A+42842C
- MSL : LEVEL 1

POWER INDUCTORS CSP SERIES

CSP0704W

1. SHAPE & DIMENSION (UNIT:mm)



2. ELECTRICAL

PART NO.	Inductance (uH)	Tolerance	DCR (mΩ) max	RDC (A) Isat	RDC (A) Irms
CSP0704W1R0□-□□	1.0	Y	10	10.20	6.84
CSP0704W2R2□-□□	2.2	Y	20	6.50	6.00
CSP0704W3R3□-□□	3.3	Y	30	4.60	5.00
CSP0704W4R7□-□□	4.7	Y	40	4.00	4.00
CSP0704W100□-□□	10	M, N	49	2.60	2.00
CSP0704W120□-□□	12	M, N	58	2.40	1.82
CSP0704W150□-□□	15	M, N	81	2.20	1.60
CSP0704W180□-□□	18	M, N	91	2.05	1.50
CSP0704W220□-□□	22	M, N	110	1.70	1.41
CSP0704W270□-□□	27	M, N	150	1.55	1.24
CSP0704W330□-□□	33	M, N	170	1.40	1.13
CSP0704W390□-□□	39	M, N	230	1.23	1.11
CSP0704W470□-□□	47	M, N	260	1.10	1.03
CSP0704W560□-□□	56	M, N	350	1.05	0.93
CSP0704W680□-□□	68	M, N	380	0.95	0.87
CSP0704W820□-□□	82	M, N	430	0.90	0.84
CSP0704W101□-□□	100	M, N	610	0.75	0.79
CSP0704W121□-□□	120	M, N	660	0.70	0.67
CSP0704W151□-□□	150	M, N	880	0.63	0.52

POWER INDUCTORS CSP SERIES

CSP0704W

2. ELECTRICAL

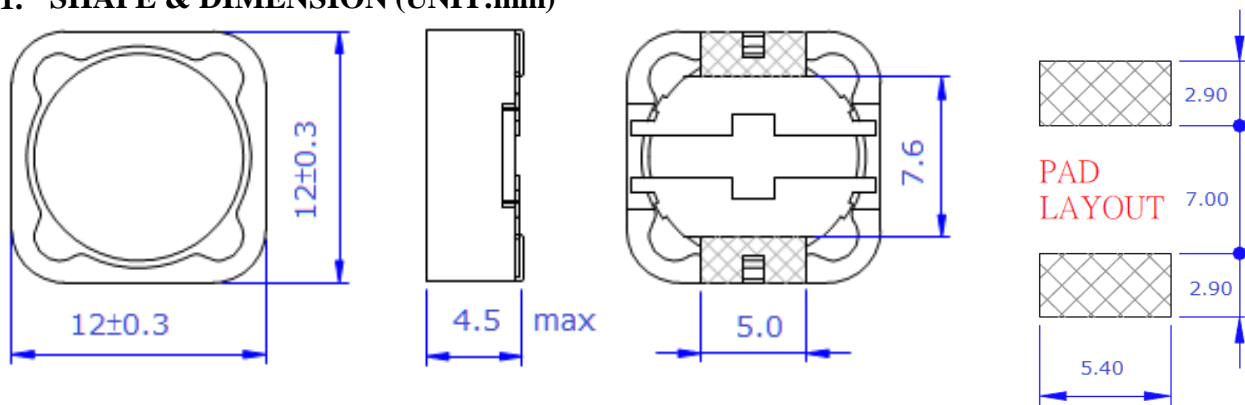
PART NO.	Inductance (uH)	Tolerance	DCR (mΩ) max	RDC (A) Isat	RDC (A) Irms
CSP0704W181□-□□	180	M , N	980	0.56	0.51
CSP0704W221□-□□	220	M , N	1170	0.54	0.44
CSP0704W271□-□□	270	M , N	1640	0.48	0.43
CSP0704W331□-□□	330	M , N	1860	0.45	0.39
CSP0704W391□-□□	390	M , N	2850	0.42	0.38
CSP0704W471□-□□	470	M , N	3010	0.34	0.29
CSP0704W561□-□□	560	M , N	3620	0.31	0.28
CSP0704W681□-□□	680	M , N	4630	0.28	0.23
CSP0704W821□-□□	820	M , N	5200	0.26	0.21
CSP0704W102□-□□	1000	M , N	6000	0.25	0.20

- □ Tolerance : M:±20%, N: ±25% ,Y:±30%
- Test frequency : 1KHz
- The operating temperature range is -40 °C ~ +125°C (Including self-temperature rise)
- Rated current: smaller value of either Irms or Isat
 Irms: The value of DC current when temperature rise is $\Delta T \cong 40^{\circ}\text{C}$. (Ta=20°C)
 Isat: For inductance drop 10% from its value without current
- Inductance measurement: HP4194A
- DCR measurement: 502BC milli-ohm meter.
- RDC measurement: 4284A+42841A+42842C
- MSL : LEVEL 1

POWER INDUCTORS CSP SERIES

CSP1204T

1. SHAPE & DIMENSION (UNIT:mm)



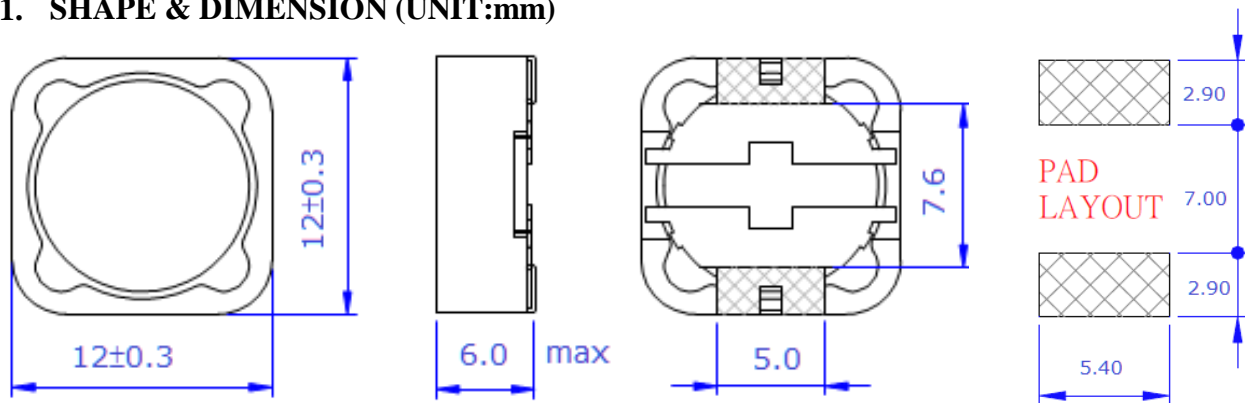
2. ELECTRICAL

PART NO.	Inductance (uH)	Tolerance	Test Freq. (KHz)	DCR (mΩ)	RDC (A) Isat
CSP1204T3R9□-□□	3.9	Y	100	15	6.5
CSP1204T4R7□-□□	4.7	Y	100	18	5.7
CSP1204T6R8□-□□	6.8	M, N	100	23	4.9
CSP1204T8R2□-□□	8.2	M, N	100	26	4.6
CSP1204T100□-□□	10	M, N	100	45	4.5
CSP1204T120□-□□	12	M, N	100	38	4.0
CSP1204T150□-□□	15	M, N	100	50	3.2
CSP1204T180□-□□	18	M, N	100	57	3.1
CSP1204T220□-□□	22	M, N	100	66	2.9
CSP1204T270□-□□	27	M, N	100	80	2.8
CSP1204T330□-□□	33	M, N	100	97	2.7
CSP1204T390□-□□	39	M, N	100	132	2.1
CSP1204T470□-□□	47	M, N	100	150	1.9
CSP1204T560□-□□	56	M, N	100	190	1.8
CSP1204T680□-□□	68	M, N	100	220	1.5
CSP1204T820□-□□	82	M, N	100	260	1.3

POWER INDUCTORS CSP SERIES

CSP1205T

1. SHAPE & DIMENSION (UNIT:mm)



2. ELECTRICAL

PART NO.	Inductance (uH)	Tolerance	Test Freq. (KHz)	DCR (mΩ)	RDC (A) Isat
CSP1205T1R3□-□□	1.3	Y	100	12	8.00
CSP1205T2R1□-□□	2.1	Y	100	14	7.00
CSP1205T3R1□-□□	3.1	Y	100	17	6.00
CSP1205T4R4□-□□	4.4	Y	100	20	5.00
CSP1205T5R8□-□□	5.8	M, N	100	21	4.40
CSP1205T7R5□-□□	7.5	M, N	100	24	4.20
CSP1205T100□-□□	10	M, N	100	25	4.00
CSP1205T120□-□□	12	M, N	100	27	3.50
CSP1205T150□-□□	15	M, N	100	30	3.30
CSP1205T180□-□□	18	M, N	100	34	3.00
CSP1205T220□-□□	22	M, N	100	36	2.80
CSP1205T270□-□□	27	M, N	100	51	2.30
CSP1205T330□-□□	33	M, N	100	57	2.10
CSP1205T390□-□□	39	M, N	100	68	2.00
CSP1205T470□-□□	47	M, N	100	75	1.80
CSP1205T560□-□□	56	M, N	100	110	1.70
CSP1205T680□-□□	68	M, N	100	120	1.50
CSP1205T820□-□□	82	M, N	100	140	1.40

POWER INDUCTORS CSP SERIES

CSP1205T

2. ELECTRICAL

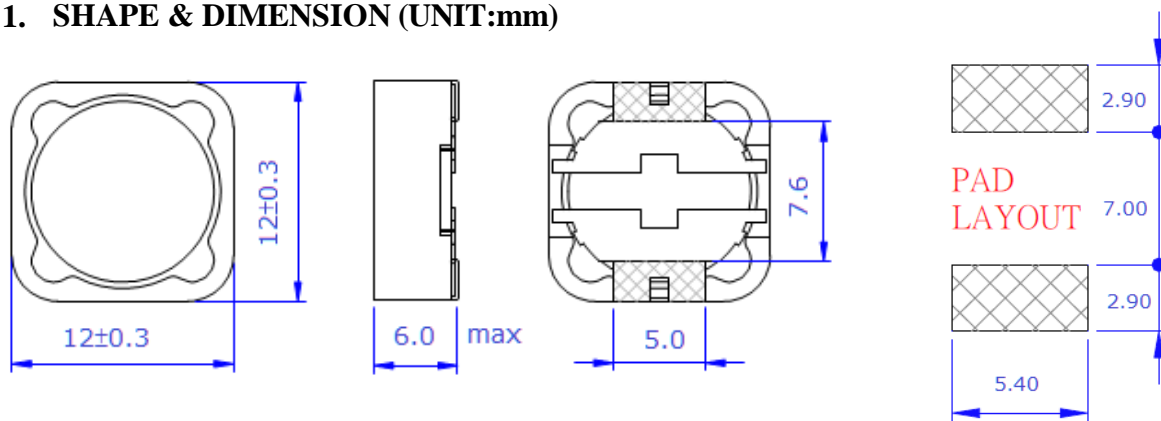
PART NO.	Inductance (uH)	Tolerance	Test Freq. (KHz)	DCR (mΩ)	RDC (A) Isat
CSP1205T101□-□□	100	M , N	100	160	1.30
CSP1205T121□-□□	120	M , N	100	170	1.10
CSP1205T151□-□□	150	M , N	100	230	1.00
CSP1205T181□-□□	180	M , N	100	290	0.90
CSP1205T221□-□□	220	M , N	100	400	0.80
CSP1205T271□-□□	270	M , N	100	460	0.75
CSP1205T331□-□□	330	M , N	100	510	0.68
CSP1205T391□-□□	390	M , N	100	690	0.65
CSP1205T471□-□□	470	M , N	100	770	0.58
CSP1205T561□-□□	560	M , N	100	860	0.54
CSP1205T681□-□□	680	M , N	100	1200	0.48
CSP1205T821□-□□	820	M , N	100	1340	0.43
CSP1205T102□-□□	1000	M , N	100	1530	0.40

- □ Tolerance : M:±20%, N: ±25% ,Y:±30%
- The operating temperature range is -40 °C ~ +105°C (Including self-temperature rise)
- Isat: For inductance drop 25% from its value without current
- Inductance measurement: HP4194A
- DCR measurement: 502BC milli-ohm meter.
- RDC measurement: 4284A+42841A+42842C
- MSL : LEVEL 1

POWER INDUCTORS CSP SERIES

CSP1205W

1. SHAPE & DIMENSION (UNIT:mm)



2. ELECTRICAL

PART NO.	Inductance (uH)	Tolerance	DCR (mΩ) max	RDC (A) Isat	RDC (A) Irms
CSP1205W1R5□-□□	1.5	Y	6	12.5	10.5
CSP1205W2R2□-□□	2.2	Y	8	11.0	10.0
CSP1205W3R5□-□□	3.5	Y	8	9.00	9.25
CSP1205W4R7□-□□	4.7	Y	11	8.00	8.25
CSP1205W6R8□-□□	6.8	M, N	22	6.00	5.60
CSP1205W8R2□-□□	8.2	M, N	20	6.25	6.25
CSP1205W100□-□□	10	M, N	25	5.50	5.00
CSP1205W120□-□□	12	M, N	27	4.85	3.91
CSP1205W150□-□□	15	M, N	30	4.55	3.75
CSP1205W180□-□□	18	M, N	34	4.30	3.48
CSP1205W220□-□□	22	M, N	36	3.77	3.37
CSP1205W270□-□□	27	M, N	51	3.55	2.97
CSP1205W330□-□□	33	M, N	57	3.00	2.68
CSP1205W390□-□□	39	M, N	68	2.74	2.49
CSP1205W470□-□□	47	M, N	75	2.60	2.21

POWER INDUCTORS CSP SERIES

CSP1205W

2. ELECTRICAL

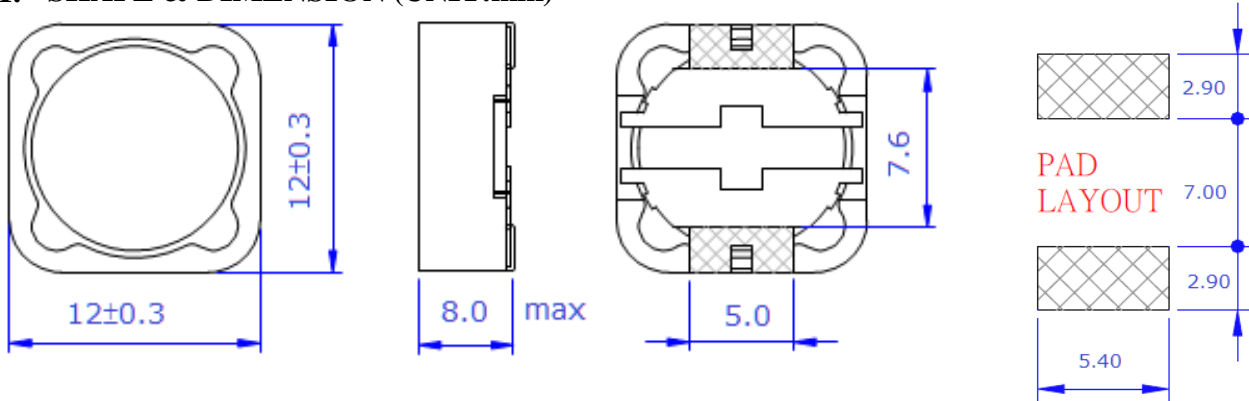
PART NO.	Inductance (uH)	Tolerance	DCR (mΩ) max	RDC (A) Isat	RDC (A) Irms
CSP1205W560□-□□	56	M, N	110	2.35	2.01
CSP1205W680□-□□	68	M, N	120	2.19	1.91
CSP1205W820□-□□	82	M, N	140	1.88	1.65
CSP1205W101□-□□	100	M, N	160	1.70	1.53
CSP1205W121□-□□	120	M, N	170	1.56	1.30
CSP1205W151□-□□	150	M, N	230	1.43	1.20
CSP1205W181□-□□	180	M, N	290	1.24	1.06
CSP1205W221□-□□	220	M, N	400	1.20	0.96
CSP1205W271□-□□	270	M, N	460	1.00	0.89
CSP1205W331□-□□	330	M, N	510	0.97	0.78
CSP1205W391□-□□	390	M, N	690	0.85	0.68
CSP1205W471□-□□	470	M, N	770	0.80	0.64
CSP1205W561□-□□	560	M, N	860	0.70	0.62
CSP1205W681□-□□	680	M, N	1200	0.68	0.55
CSP1205W821□-□□	820	M, N	1340	0.60	0.51
CSP1205W102□-□□	1000	M, N	1530	0.50	0.43

- Tolerance : M:±20%, N: ±25% ,Y:±30%
- Test frequency : 1KHz
- The operating temperature range is -40 °C ~ +125°C (Including self-temperature rise)
- Rated current: smaller value of either Irms or Isat
 Irms: The value of DC current when temperature rise is $\Delta T \leq 40^{\circ}\text{C}$. (Ta=20°C)
 Isat: For inductance drop 10% from its value without current
- Inductance measurement: HP4194A
- DCR measurement: 502BC milli-ohm meter.
- RDC measurement: 4284A+42841A+42842C
- MSL : LEVEL 1

POWER INDUCTORS CSP SERIES

CSP1207T

1. SHAPE & DIMENSION (UNIT:mm)



2. ELECTRICAL

PART NO.	Inductance (uH)	Tolerance	Test Freq. (KHz)	DCR (mΩ)	RDC (A) Isat
CSP1207T1R2□-□□	1.2	Y	100	7	9.80
CSP1207T2R4□-□□	2.4	Y	100	12	8.00
CSP1207T3R5□-□□	3.5	Y	100	14	7.50
CSP1207T4R7□-□□	4.7	Y	100	16	6.80
CSP1207T6R1□-□□	6.1	M, N	100	18	6.60
CSP1207T7R6□-□□	7.6	M, N	100	20	5.90
CSP1207T100□-□□	10	M, N	100	22	5.40
CSP1207T120□-□□	12	M, N	100	25	4.90
CSP1207T150□-□□	15	M, N	100	27	4.50
CSP1207T180□-□□	18	M, N	100	40	3.90
CSP1207T220□-□□	22	M, N	100	44	3.60
CSP1207T270□-□□	27	M, N	100	46	3.40
CSP1207T330□-□□	33	M, N	100	65	3.00
CSP1207T390□-□□	39	M, N	100	73	2.75
CSP1207T470□-□□	47	M, N	100	100	2.50
CSP1207T560□-□□	56	M, N	100	110	2.35

POWER INDUCTORS CSP SERIES

CSP1207T

2. ELECTRICAL

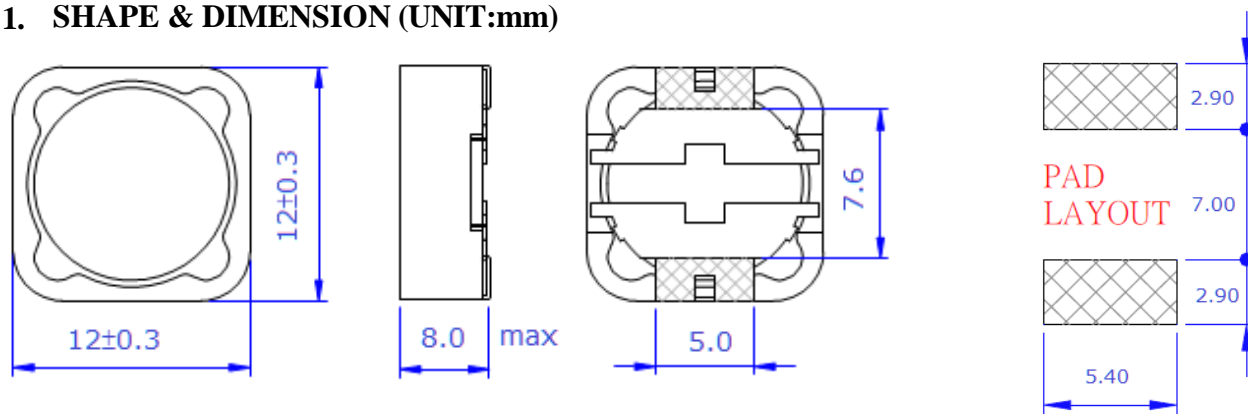
PART NO.	Inductance (uH)	Tolerance	Test Freq. (KHz)	DCR (mΩ)	RDC (A) Isat
CSP1207T680□-□□	68	M , N	100	140	2.10
CSP1207T820□-□□	82	M , N	100	160	1.95
CSP1207T101□-□□	100	M , N	100	220	1.70
CSP1207T121□-□□	120	M , N	100	250	1.60
CSP1207T151□-□□	150	M , N	100	280	1.42
CSP1207T181□-□□	180	M , N	100	350	1.30
CSP1207T221□-□□	220	M , N	100	390	1.16
CSP1207T271□-□□	270	M , N	100	560	1.06
CSP1207T331□-□□	330	M , N	100	640	0.95
CSP1207T391□-□□	390	M , N	100	700	0.88
CSP1207T471□-□□	470	M , N	100	980	0.79
CSP1207T561□-□□	560	M , N	100	1070	0.73
CSP1207T681□-□□	680	M , N	100	1460	0.67
CSP1207T821□-□□	820	M , N	100	1640	0.60
CSP1207T102□-□□	1000	M , N	100	1820	0.55

- □ Tolerance : M:±20%, N: ±25% ,Y:±30%
- The operating temperature range is -40 °C ~ +105°C (Including self-temperature rise)
- Isat: For inductance drop 25% from its value without current
- Inductance measurement: HP4194A
- DCR measurement: 502BC milli-ohm meter.
- RDC measurement: 4284A+42841A+42842C
- MSL : LEVEL 1

POWER INDUCTORS CSP SERIES

CSP1207W

1. SHAPE & DIMENSION (UNIT:mm)



2. ELECTRICAL

PART NO.	Inductance (uH)	Tolerance	Test Freq. (KHz)	DCR (mΩ) max	RDC (A) Isat	RDC (A) Irms
CSP1207WR47□-□□	0.47	Y	100	3	26.40	23.5
CSP1207WR75□-□□	0.75	Y	100	4	21.00	19.8
CSP1207W1R2□-□□	1.2	Y	100	7	16.60	12.0
CSP1207W1R5□-□□	1.5	Y	100	6	12.00	10.0
CSP1207W2R4□-□□	2.4	Y	100	12	14.30	10.1
CSP1207W3R5□-□□	3.5	Y	100	14	9.60	8.90
CSP1207W4R7□-□□	4.7	Y	100	16	9.30	8.50
CSP1207W5R6□-□□	5.6	M, N	100	10	8.20	8.00
CSP1207W6R1□-□□	6.1	M, N	100	18	8.60	7.60
CSP1207W7R6□-□□	7.6	M, N	100	20	8.00	7.40
CSP1207W100□-□□	10	M, N	1	22	6.60	6.20
CSP1207W120□-□□	12	M, N	1	24	6.30	5.90
CSP1207W150□-□□	15	M, N	1	27	6.00	5.00
CSP1207W180□-□□	18	M, N	1	39	5.40	4.20
CSP1207W220□-□□	22	M, N	1	43	5.00	4.10
CSP1207W270□-□□	27	M, N	1	46	3.80	3.70

POWER INDUCTORS CSP SERIES

CSP1207W

2. ELECTRICAL

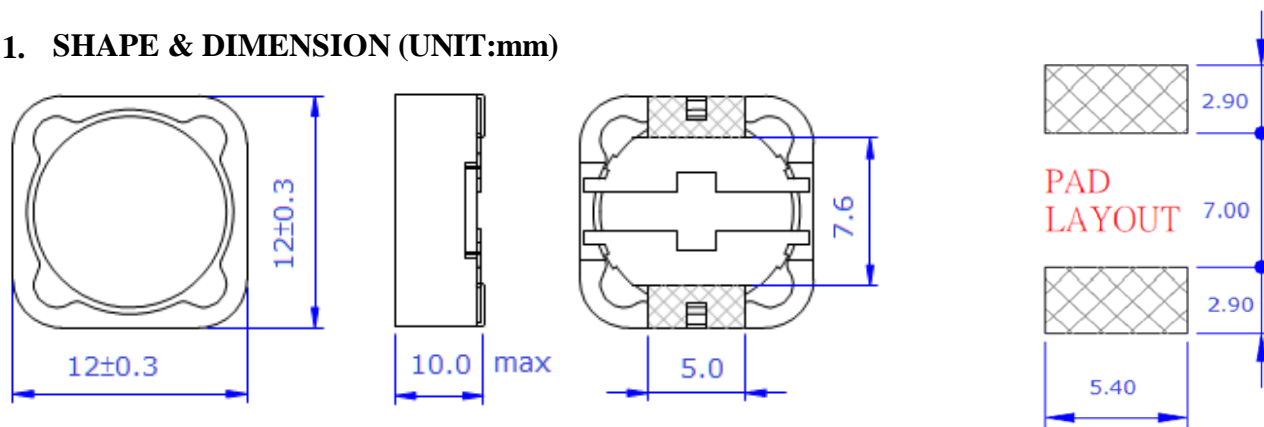
PART NO.	Inductance (uH)	Tolerance	Test Freq. (KHz)	DCR (mΩ) max	RDC (A) Isat	RDC (A) Irms
CSP1207W330□-□□	33	M , N	1	64	3.60	3.20
CSP1207W390□-□□	39	M , N	1	73	3.50	3.00
CSP1207W470□-□□	47	M , N	1	100	3.00	2.70
CSP1207W560□-□□	56	M , N	1	110	2.90	2.40
CSP1207W680□-□□	68	M , N	1	140	2.50	2.30
CSP1207W820□-□□	82	M , N	1	160	2.45	2.25
CSP1207W101□-□□	100	M , N	1	220	2.40	2.20
CSP1207W151□-□□	150	M , N	1	280	1.80	1.80
CSP1207W181□-□□	180	M , N	1	350	1.60	1.40
CSP1207W221□-□□	220	M , N	1	390	1.49	1.30
CSP1207W331□-□□	330	M , N	1	640	1.10	1.10
CSP1207W471□-□□	470	M , N	1	980	0.90	0.90
CSP1207W561□-□□	560	M , N	1	1070	0.90	0.80
CSP1207W681□-□□	680	M , N	1	1460	0.80	0.70
CSP1207W821□-□□	820	M , N	1	1640	0.80	0.60
CSP1207W102□-□□	1000	M , N	1	1820	0.70	0.60

- □ Tolerance : M:±20%, N: ±25% ,Y:±30%
- The operating temperature range is -40 °C ~ +125°C (Including self-temperature rise)
- Rated current: smaller value of either Irms or Isat
 Irms: The value of DC current when temperature rise is $\Delta T \cong 40^{\circ}C$. (Ta=20°C)
 Isat: For inductance drop 10% from its value without current
- Inductance measurement: HP4194A
- DCR measurement: 502BC milli-ohm meter.
- RDC measurement: 4284A+42841A+42842C
- MSL : LEVEL 1

POWER INDUCTORS CSP SERIES

CSP1209W

1. SHAPE & DIMENSION (UNIT:mm)



2. ELECTRICAL

PART NO.	Inductance (uH)	Tolerance	DCR (mΩ) max	RDC (A) Isat	RDC (A) Irms
CSP1209W1R0□-□□	1.0	Y	6.0	25.0	13.0
CSP1209W2R2□-□□	2.2	Y	6.0	20.0	11.5
CSP1209W3R5□-□□	3.5	Y	9.0	16.5	11.0
CSP1209W4R7□-□□	4.7	Y	11.0	13.0	9.30
CSP1209W6R8□-□□	6.8	M , N	14.0	12.8	8.40
CSP1209W100□-□□	10	M , N	21.0	10.5	7.10
CSP1209W150□-□□	15	M , N	26.0	8.00	6.50
CSP1209W220□-□□	22	M , N	28.0	6.50	5.30
CSP1209W270□-□□	27	M , N	40.0	5.80	4.60
CSP1209W330□-□□	33	M , N	45.0	5.50	4.20
CSP1209W390□-□□	39	M , N	56.0	5.00	4.10
CSP1209W470□-□□	47	M , N	60.0	4.50	3.80
CSP1209W680□-□□	68	M , N	89.0	3.60	3.20
CSP1209W820□-□□	82	M , N	90.5	3.40	2.75
CSP1209W101□-□□	100	M , N	110	3.10	2.50

POWER INDUCTORS CSP SERIES

CSP1209W

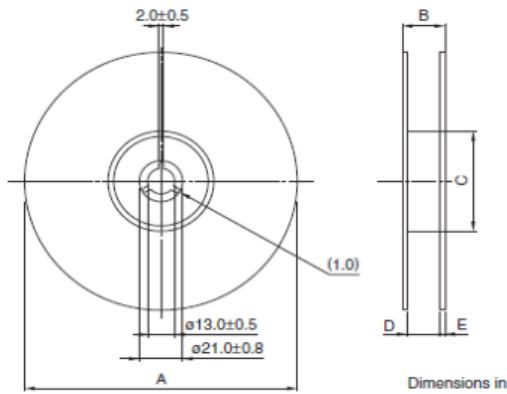
2. ELECTRICAL

PART NO.	Inductance (uH)	Tolerance	DCR (mΩ) max	RDC (A) Isat	RDC (A) Irms
CSP1209W151□-□□	150	M , N	200	2.70	2.10
CSP1209W221□-□□	220	M , N	300	2.20	1.80
CSP1209W271□-□□	270	M , N	330	2.10	1.60
CSP1209W331□-□□	330	M , N	430	1.70	1.50
CSP1209W471□-□□	470	M , N	560	1.50	1.40
CSP1209W681□-□□	680	M , N	825	1.30	1.10
CSP1209W821□-□□	820	M , N	1000	1.10	0.95
CSP1209W102□-□□	1000	M , N	1200	1.00	0.90
CSP1209W152□-□□	1500	M , N	2300	0.80	0.70

- □ Tolerance : M:±20%, N: ±25% ,Y:±30%
- Test frequency : 1KHz
- The operating temperature range is -40 °C ~ +125°C (Including self-temperature rise)
- Rated current: smaller value of either Irms or Isat
 Irms: The value of DC current when temperature rise is $\Delta T \leq 40^{\circ}\text{C}$. ($T_a=20^{\circ}\text{C}$)
 Isat: For inductance drop 10% from its value without current
- Inductance measurement: HP4194A
- DCR measurement: 502BC milli-ohm meter.
- RDC measurement: 4284A+42841A+42842C
- MSL : LEVEL 1

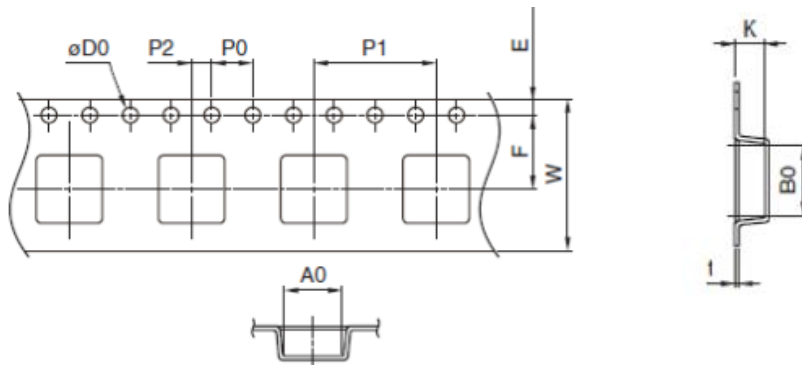
■ **Packaging**

■ **Reel Dimension (Unit:mm)**



Type	A	B	C	D	E
CSP0603	φ330	22.4	φ50	16.4	2
CSP0605	φ330	22.4	φ50	16.4	2
CSP0703	φ330	22.4	φ50	16.4	2
CSP0704	φ330	22.4	φ50	16.4	2
CSP1204	φ330	30.4	φ50	24.4	2
CSP1205	φ330	30.4	φ50	24.4	2
CSP1207	φ330	30.4	φ50	24.4	2
CSP1209	φ330	30.4	φ50	24.4	2

■ **Tape Dimensions (Unit:mm)**



Type	A0	B0	φD0	E	F	P0	P1	P2	W	K	t
CSP0603	6.4	6.4	1.5+0.1/-0	1.75±0.1	7.5±0.1	4.0±0.1	12.0±0.1	2.0±0.05	16.0±0.3	3.1	0.4
CSP0605	6.4	6.4	1.5+0.1/-0	1.75±0.1	7.5±0.1	4.0±0.1	12.0±0.1	2.0±0.05	16.0±0.3	3.1	0.4
CSP0703	7.4	7.6	1.5+0.1/-0	1.75±0.1	7.5±0.1	4.0±0.1	12.0±0.1	2.0±0.05	16.0±0.3	3.6	0.4
CSP0704	7.4	7.6	1.5+0.1/-0	1.75±0.1	7.5±0.1	4.0±0.1	12.0±0.1	2.0±0.05	16.0±0.3	4.8	0.4
CSP1204	13	13	1.5+0.1/-0	1.75±0.1	11.5±0.1	4.0±0.1	16.0±0.1	2.0±0.05	24.0±0.3	6.0	0.4
CSP1205	13	13	1.5+0.1/-0	1.75±0.1	11.5±0.1	4.0±0.1	16.0±0.1	2.0±0.05	24.0±0.3	6.0	0.4
CSP1207	13	13	1.5+0.1/-0	1.75±0.1	11.5±0.1	4.0±0.1	16.0±0.1	2.0±0.05	24.0±0.3	7.0	0.34
CSP1209	13	13	1.5+0.1/-0	1.75±0.1	11.5±0.1	4.0±0.1	16.0±0.1	2.0±0.05	24.0±0.3	8.0	0.34