

Data Sheet

Customer : _____

Product : Ceramic Disc Capacitor – Low Dissipation Factor _____

Type : Y _____

Issued Date : 01-Jul.-2025 _____

Edition : Ver. 3 _____

Record of change

Date	Ver.	Description	page
30-Dec.-2016	1		
02-Feb.-2023	2	Modify Part No. Designation	1
01-Jul.-2025	3	Modify Temperature Coefficient (Ref. Fig 2) &Rated Voltage (D.C.)&Rated Capacitance&Part No. Designation&Lead Spacing. (F)&Dimension & Capacitance Range	1~2

HITANO ENTERPRISE CORP.

7F-7, No. 3, Wu Chuan 1st Road, New Taipei Industrial Park,

New Taipei City, TAIWAN, R.O.C.

Tel: +886 2 2299 1331 (Rep.)

Fax: +886 2 2298 2466, 2298 2969

Prepared by	Checked by	Approved by	Accepted by (customer)
01-Jul.-2025	01-Jul.-2025	01-Jul.-2025	
Randy Yu	Michelle Lin	Arthur Su	

FEATURES

- Low dissipation factor.
- Non linear temperature coefficient of capacitance

Part No. Designation

Example	Y	R	2K0	222	K	-	L	7	1	6	B	D	14.5
	(1)	(2)	(3)	(4)	(5)		(6)	(7)	(8)	(9)	(10)	(11)	(12)

1.Low D.F — Type'Y'

2.Temperature Coefficient (Ref. Fig 2)

Code	Temp. Range	Cap. Change	EIA Code
R	-25°C~+125°C	±15% (-25°C to +85°C) +15 ~ -30%(+85°C to +125°C)	Y5R

3.Rated Voltage (D.C.)

Code	Voltage
1K0	1000V
2K0	2000V

4.Rated Capacitance

Code	Cap. (PF)	Code	Cap. (PF)
101	100PF	821	820 PF
121	120PF	102	1,000 PF
151	150PF	152	1,500 PF
181	180PF	222	2,200 PF
221	220PF	272	2,700 PF
271	270PF	332	3,300 PF
331	330PF		
391	390PF		
471	470PF		
561	560PF		
681	680PF		

5.

Code	Tolerance	Rated T.C.
K	±10%	R

6.Lead Shape. (Ref. Fig. 3.)

Code	Type	
K	Bulk	Short Kink
S		Short Straight
L		Long Straight
A	Taping	Inside Kink
B		Straight
D		Vertical Kink

7.Lead Spacing. (F)

Code	Dimension. (mm)		
	K	S	L
5	5.0±0.8	5.0±0.8	5.0±0.8
7	---	7.5±1.0	7.5±1.0
0	10.0±1.0	10.0±1.0	10.0±1.0

8.Lead Length. (L)

Code	Dimension (mm)		
	K	S	L
5	5.0±0.8	5.0±0.8	
6	6.0±0.8	6.0±0.8	
0	10.0±0.8	10.0±0.8	
1	---	---	20min

9.Lead Wire. (d)

Code	Dia(φ mm)	Rated Voltage (D.C.)
6	0.6±0.1	1KV~2KV

10.Package

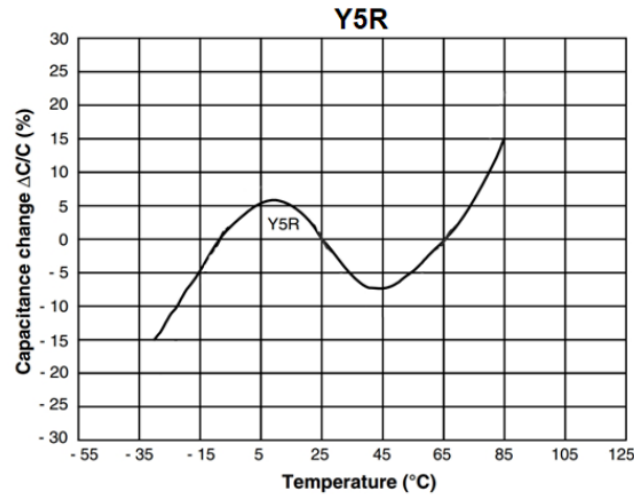
Code	Package	Q'ty
B	Bulk	1000pcs
A	Ammo Pack	2000pcs

11.Extra Diameter Code : D

12.Diameter in mm

Code	Dia (φ mm)
9	9
14.5	14.5

Fig. 2 (T.C. %)



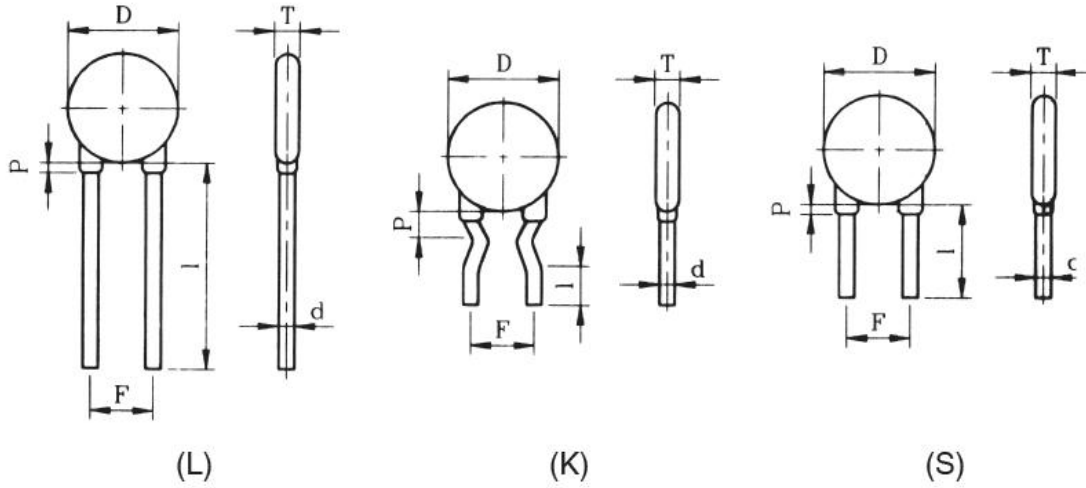
Dimension & Capacitance Range

Dimension (mm)				Capacitance Range (pF)	
Dia. (D) max	Lead Spacing (F)			1000V	2000V
	K	S	L	R	R
6.5	5.0±0.8 to 10.0±1.0	5.0±0.8 to 10.0±1.0	5.0±0.8 to 10.0±1.0	100 – 470	100 – 270
7.5				560 – 680	330 – 470
8.5				820 – 1000	560
9.5				-	680 – 820
10.5				1500	1000
11.5				2200	1200
12.5				-	1500
13.5				-	1800
14.5				3300	2200

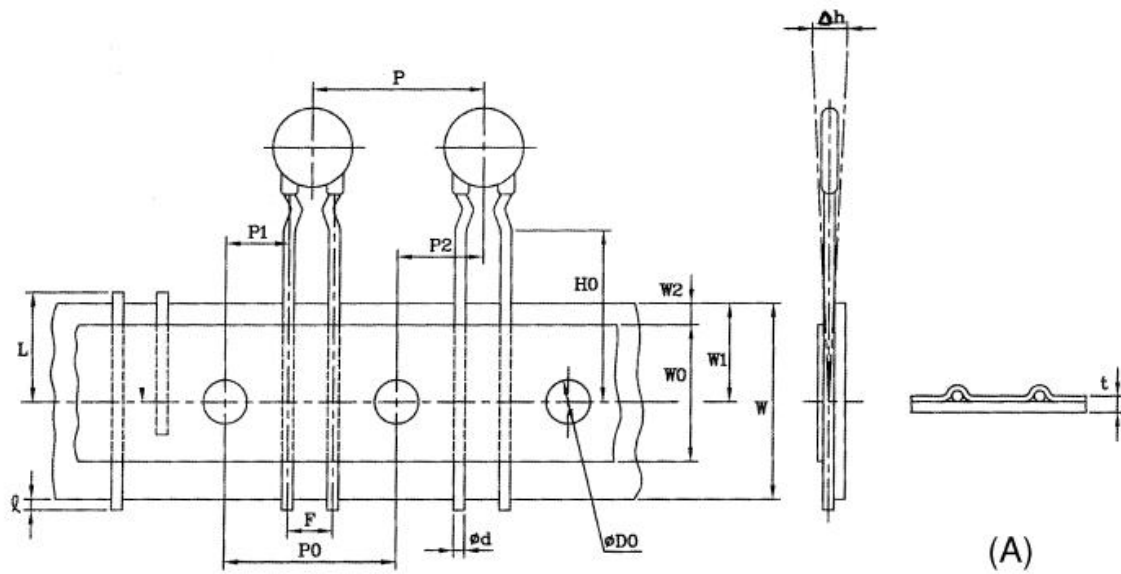
SPECIFICATION & TEST

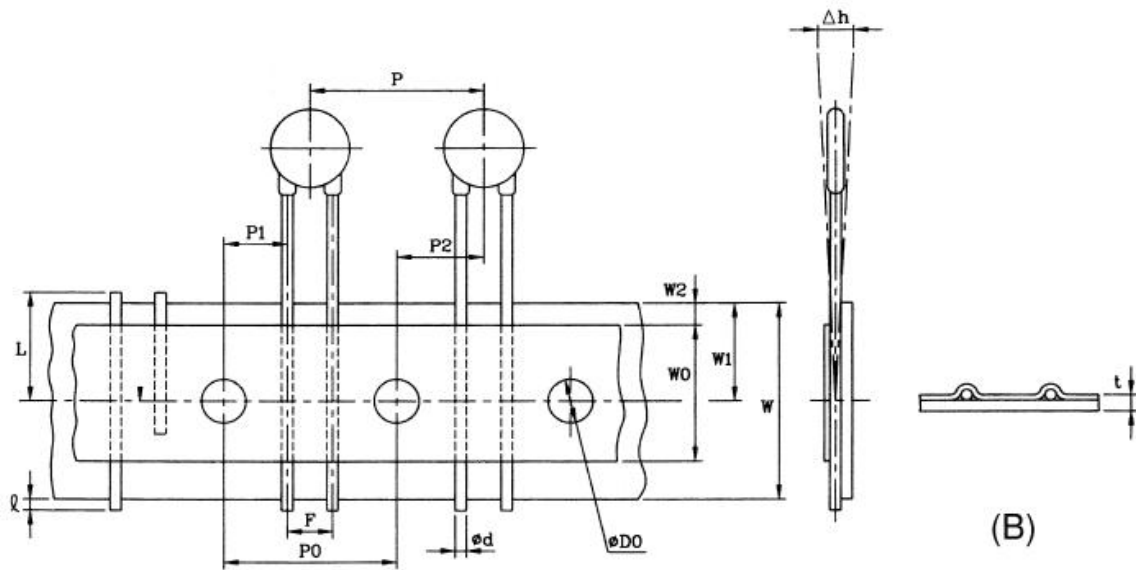
No. Item	Performance	Test Method
1. Visual & Mechanical	To meet the specification	The product shall be inspected for visible evidence of defect
2. Marking	To be clear and legible	Marking shall be tested with ace ton
3. Voltage Proof (Between terminal)	No failure	2.5 times the rated voltage shall be applied for 1 to 5 sec. Charging and discharging current shall be limited to 50mA max
4. Insulation resistance	10,000MΩ min	Shall be measured 1 minute after with rated voltage
5. Capacitance	To be within the specified tolerance	Test frequency : 1KHz ±200Hz Test voltage shall not exceed 1Vrms at 25±2°C
6. Dissipation Factor (Tanδ) (%)	Characteristic R : 0.2% max	Same condition as above (Item 5)

Lead Shape (Fig. 3)



Taping Specification





Symbol	P	P ₀	P ₁	P ₂	ϕd	F	Δh	W	W ₀	W ₁	W ₂	D ₀	t	L	H	H ₀
Dimension	12.7	12.7	3.85	6.35	0.6	5.08 6.35 7.62	0	18	12.5	9	3	4	0.7	11	20.0 23.0	16.0 18.0
Tolerance	±1.0	±0.3	±0.7	±1.0	±0.05	+0.8 -0.2	±2	±0.5	Min	+0.75 -0.5	Max	±0.3	±0.2	Max	+1.5 -1.0	±0.5